



# Lighting Catalog

(Pictures, Materials and Rates)



April 9, 2020

This Page Intensionally Left Blank

## Index

<u>Description</u>	<u>Page</u>
Index .....	i - ii
GRU Rental Rates Classes .....	1
GRU Rental Light Selection .....	2, 3
GRU Light & Pole Types Quick Reference .....	4 - 6
Lighting Definitions .....	7
GRU Rental Light Rates .....	8 - 11
GRU Rental Light Rate Matrix .....	12
GRU Light Manufacturer Information .....	13
GRU Pole Manufacturer Information .....	14
LED “Full Cutoff“ Roadway Light (Photo) .....	16
LED Roadway Cutoff 1N - Gray .....	17
LED Roadway Cutoff 2 - Gray .....	18
LED Roadway Cutoff 3 - Gray .....	19
LED Roadway Cutoff 4 - Gray .....	20
Concrete Poles .....	21
Woods Poles .....	22
LED Black “Full Cutoff“ Roadway Light (Photo) .....	24
LED Roadway Cutoff 2 - Black .....	25
LED Roadway Cutoff 3 - Black .....	26
LED Roadway Cutoff 4 - Black .....	27
Concrete Pole Black 35’ (30’ Mounting Height) Specifications .....	28
Concrete Pole Black 35’ (30’ Mounting Height) Drawing .....	29
Concrete Pole Black 40’ (35’ Mounting Height) Specifications .....	30
Concrete Pole Black 40’ (35’ Mounting Height) Drawing .....	31
LED Round Roadway Light - Black (Photo) .....	32
LED Round Roadway Light .....	33
Aluminum Pole 30’ Black Round Non-Tapered .....	34
Square Concrete Pole Foundation .....	35
Round Concrete Pole Foundation .....	36

## Index cont.

<u>Description</u>	<u>Page</u>
LED Pendant Roadway Light (Photo) .....	38
LED Pendant Roadway Light .....	39
Steel Pole 18' Black "Bottleneck" Specifications .....	40
Steel Pole 18' Black "Bottleneck" Drawing .....	41
Square Concrete Pole Foundation .....	42
Round Concrete Pole Foundation .....	43
LED Small Pendant Pedestrian Light (Photo) .....	44
LED Small Pendant Pedestrian Light .....	45
Steel Pole 12' Black Specifications .....	46
Steel Pole 12' Black Drawing .....	47
Round Concrete Pole Foundation .....	48
LED Acorn Pedestrian Light (Photo) .....	50
LED Acorn Pedestrian Light .....	51
Concrete Pole 10' (nominal) Black Decorative .....	52
LED Teardrop Roadway Light (Photo) .....	54
LED Teardrop Roadway Light .....	55
2'-0" and 4'-0" Mounting Arm Bracket Specifications .....	56
Steel Pole 26' Black "Bottleneck" .....	57
2'-0" Mounting Arm Bracket Drawing .....	58
4'-0" Mounting Arm Bracket Drawing .....	59
Square Concrete Pole Foundation .....	60
LED Floodlights (Photo) .....	62
LED Floodlight 1 (Residential-Backyard) .....	63
LED Floodlight 2 .....	64
LED Floodlight 3 .....	65
Concrete Poles .....	66
Woods Poles .....	67

## GRU RENTAL LIGHT RATE CLASSES

### \* **Light Rate Classes:**

All GRU Rental Lights covered under the "Light Rate Classes" listed below are owned by GRU. Lights installed behind a meter are private lights owned by the customer.

- 1) Public Street Light Rate Class (Non-Contributed): This class of light rates are lights used by a governmental body, mainly the City of Gainesville or Alachua County Board of Commissioners (Public Works) which pays the monthly rental rate. The monthly Public Street Light Rate includes all materials including wire, the cost of installation, maintenance and energy of the light(s). The rental rate for lights does not include the rental rate of a \*\*pole to support the light. If a pole is necessary to support a rental light a separate pole rental rate shall be charged in addition to light rental rate. The monthly Pole Rental Rate includes all materials including wire, the cost of installation and maintenance of the pole(s). The pole shall also be rented under this same class.
  
- 2) Public Agency Light Rate Class (Contributed): This class of light rates are lights used by a governmental body, mainly the City of Gainesville or Alachua County Board of Commissioners (Public Works), and the monthly rental rate is paid for by the Public Agency. The Public Agency monthly rate, which allows the agency to "Buy Down" the rental rate, includes the energy charge and normal maintenance cost ONLY. The rates for lights do not include the installation of \*\*poles. The installation cost (materials, including wire, GRU engineering, construction cost and overheads) for lights and poles (if needed) shall be paid for up front by the governmental body responsible for the monthly rental charges prior to installation by GRU. **The ownership of the lights and poles remains with GRU.**

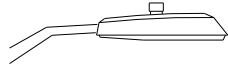
3) Rental Light Rate Class (Non-Contributed): This class of light rates are lights used by a commercial, industrial or residential customer where the monthly rental rate is paid for by the customer. The monthly Rental Light Rate includes all materials including wire, the cost of installation, maintenance and energy of the light(s). The rental rate for lights does not include the rental rate of a \*\*pole to support the light. If a pole is necessary to support a rental light a separate pole rental rate shall be charged in addition to light rental rate. The monthly Pole Rental Rate includes all materials including wire, the cost of installation and maintenance of the pole(s). The pole shall also be rented under this same class.

4) Rental Agency Light Rate Class (Contributed): This class of light rates are lights used by a commercial, industrial or residential customer and the monthly rental rate is paid for by the customer. The Rental Agency monthly rate, which allows the agency to "Buy Down" the rental rate, includes the energy charge and normal maintenance cost ONLY. The rates for lights do not include the installation of \*\*poles. The installation cost (materials, including wire, GRU engineering, construction cost and overheads) for lights and poles (if needed) shall be paid for up front by the customer responsible for the monthly rental charges prior to installation by GRU. **The ownership of the lights and poles remains with GRU.**

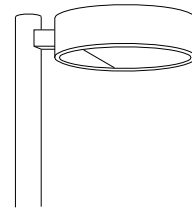
\* **All Light Rate Classes do not include Poles, fuel adjustments, taxes or fees.**

\*\* **GRU Rental Lights may be installed on GRU distribution poles or GRU Rental Light Poles ONLY.**

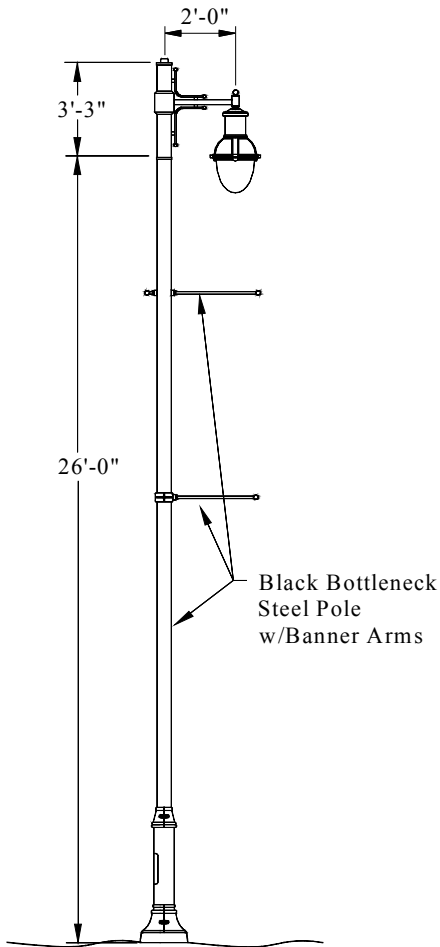
## GRU RENTAL LIGHT SELECTIONS



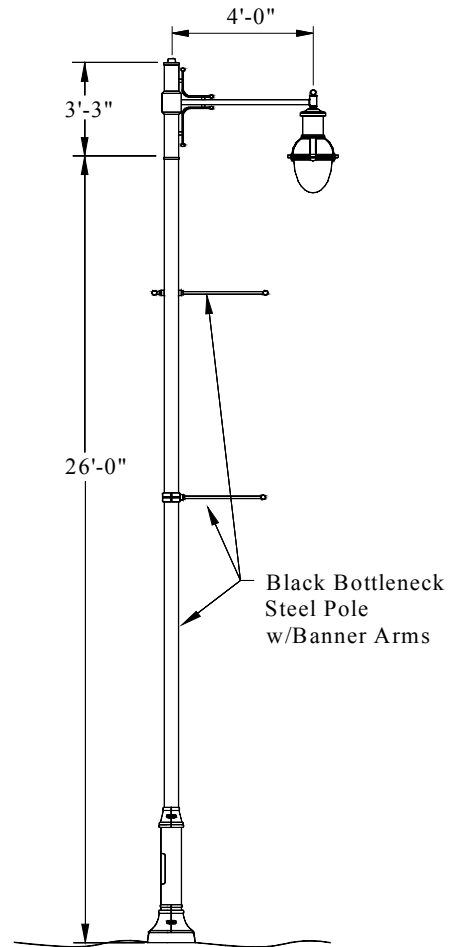
LED Roadway Cutoff Light  
(gray & black)  
(Light Types L38, L39, L40, L41,  
L42, L43, L44)



LED Round Roadway  
Light  
w/Aluminum Pole (Black)  
(Light Type L51: Pole Type P11)



LED Teardrop Light  
w/ 2'-0" Mounting Arm Bracket  
and 26' Black Bottleneck Pole  
(Light Type L53; Pole Type P7)

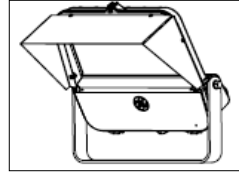


LED Teardrop Light  
w/ 4'-0" Mounting Arm Bracket  
and 26' Black Bottleneck Pole  
(Light Type L54; Pole Type P7)

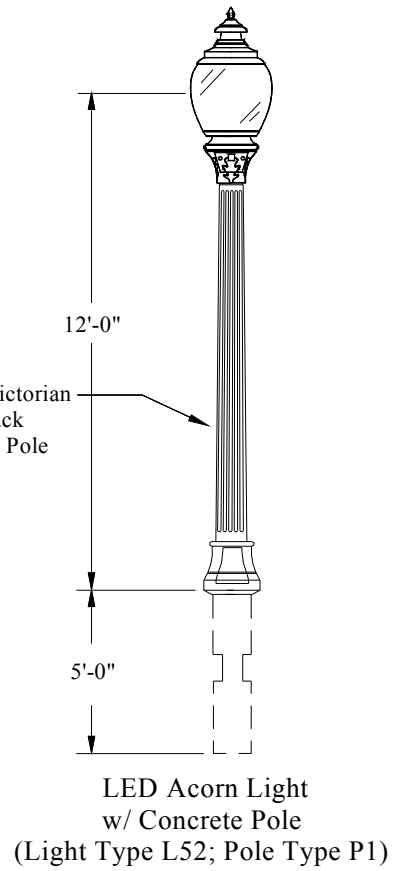
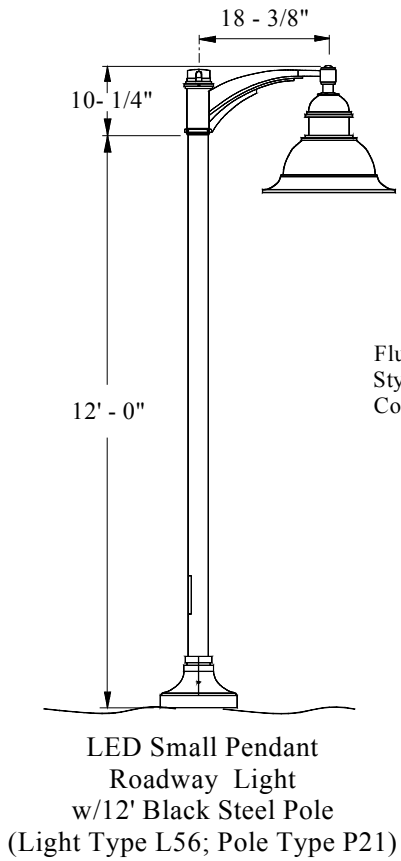
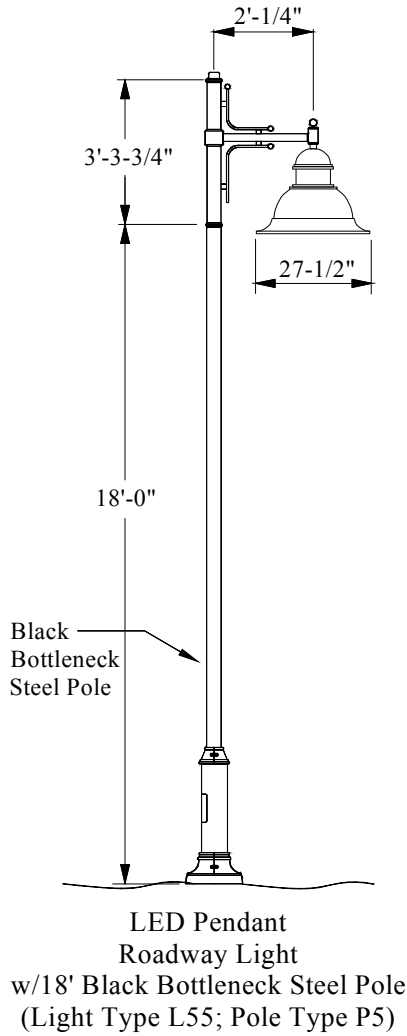
## GRU RENTAL LIGHT SELECTIONS




LED Floodlight with Shield  
(Light Type L57)



LED Floodlight with Shield  
(Light Types L58, L59)









## GRU LIGHT & POLE TYPES QUICK REFERENCE

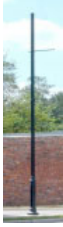



<b>GRU Lighting Type Sheet</b>	<b>Light Type</b>	<b>Photo</b>
LED Roadway Cutoff 1N - Gray	L38	
LED Roadway Cutoff 2 - Gray	L39	
LED Roadway Cutoff 3 - Gray	L40	
LED Roadway Cutoff 4 - Gray	L41	
LED Roadway Cutoff 2 - Black	L42	
LED Roadway Cutoff 3 - Black	L43	
LED Roadway Cutoff 4 - Black	L44	
LED Teardrop 2 Roadway Light (2ft Arm) - Black	L53	
LED Teardrop 4 Roadway Light (4ft Arm) - Black	L54	
LED Round Roadway Light (Hockey Puck) - Black	L51	
LED Pendant Roadway Light - Black	L55	
LED Acorn Pedestrian Light - Black	L52	
LED Small Pendant Pedestrian Light - Black	L56	
LED Floodlight 1 (Residencial), - Gray	L57	 
LED Floodlight 2 - Gray	L58	
LED Floodlight 3 - Gray	L59	



## GRU LIGHT & POLE TYPES QUICK REFERENCE

<b>GRU Pole Type Sheet</b>	<b>Pole Type</b>	<b>Photo</b>
10 ft Direct Buried Decorative Black Concrete Pole for Light Types L29, L30 and L52	P1	
30 ft Concrete Pole 35 ft Concrete Pole 40 ft Concrete Pole 45 ft Concrete Pole	P9 P13 P16 P19	
35 ft Octagonal Black Concrete Pole (30' mounting) for Light Types L42 and L43	P14	
40 ft Octagonal Black Concrete Pole (35' mounting) for Light Types L43 and L44	P17	
30 ft Fiberglass Break-a-way Pole	P10	
18 ft Steel Domus/LED Pendant Roadway Light Black pole for Light Type L27 and L55	P5	

## GRULIGHT & POLE TYPES QUICK REFERENCE

<b>GRU Pole Type Sheet</b>	<b>Pole Type</b>	<b>Photo</b>
26 ft Steel Renaissance/LED Teardrop 2 & 4 Roadway Black Pole for Light Types L33, L34, L53 and L54	P7	
30 ft wood Pole 35 ft wood Pole 40 ft wood Pole 45 ft Wood Pole	P8 P12 P-15 P18	
12 ft Steel Small Domus/LED Small Pendant Pedestrian Light Black pole for Light Types L38 and L56	P21	
30 ft Non-Tapered Round Black pole for Light Type L17	P11	

## Lighting Definitions:

Cutoff -	light or luminaire that describes a luminaire having a light distribution in which the candela per 1000 lamp lumens does not numerically exceed 25 (2.5%) at or above an angle of 90° above nadir, and 100 (10%) at or above a vertical angle of 80° above nadir. This applies to all lateral angles around the luminaire.
Fixture -	same as luminaire and light - main housing, lamp and photoelectric control (photo cell, sun switch)
Floodlight -	Flood Light
H.P.S. -	High Pressure Sodium - type of lamp (this light type is no longer available)
LED -	light-emitting diode - light type
Light -	same as luminaire and fixture - main housing, lamp and photoelectric control (photo cell, sun switch)
Luminaire -	same as light and fixture - main housing with light source and photoelectric control (photo cell, sun switch)
M.H. -	Metal Halide - type of lamp (this light type is no longer available)
Pedestrian -	areas used by walking traffic
Roadway -	areas used by automobile traffic

**Rental Light Rate Class -**  
**(Commercial & Residential - Non-Contributed)**

**Light Type** **\*Monthly**  
**Rate**

**Roadway Lights:**

LED Roadway Cutoff 1N (gray) (3000K) (Light Type L38) .....	\$ 13.35
LED Roadway Cutoff 2 (gray) (3000K) (Light Type L39) .....	\$ 16.80
LED Roadway Cutoff 3 (gray) (3000K) (Light Type L40) .....	\$ 19.10
LED Roadway Cutoff 4 (gray) (3000K) (Light Type L41) .....	\$ 24.70
LED Roadway Cutoff 5 (gray) (3000K) (Light Type L45)(FDOT) .....	\$ 25.40
LED Roadway Cutoff 2 (black) (3000K) (Light Type L42) .....	\$ 17.80
LED Roadway Cutoff 3 (black) (3000K) (Light Type L43) .....	\$ 20.10
LED Roadway Cutoff 4 (black) (3000K) (Light Type L44) .....	\$ 25.70
LED Roadway Cutoff 5 (black) (3000K) (Light Type L46)(FDOT) .....	\$ 26.40

**Decorative Roadway Lights:**

LED - Round Roadway (Light Type L51).....	\$ 42.25
LED Teardrop Roadway on 2'-0" Mounting Arm Bracket (black) (Light Type L53)..	\$ 40.75
LED Teardrop Roadway on 4'-0" Mounting Arm Bracket (black) (Light Type L54)..	\$ 41.95
LED - Pendant Roadway (black) (Light Type L55).....	\$ 37.05

**LED Floodlights:**

LED Floodlight 1 (Light Type L57).....	\$ 13.96
LED Floodlight 2 (Light Type L58).....	\$ 20.81
LED Floodlight 3 (Light Type L59).....	\$ 23.88

**Decorative Pedestrian Lights:**

LED Acorn Pedestrian - (Black) (Light Type L52) .....	\$ 29.55
LED Small Pendant Pedestrian - (black) (Light Type L56) .....	\$ 30.55

\* Monthly Rates DO NOT include Fuel Adjustment Charges, Fees, or Taxes

**POLE RATES ARE NOT INCLUDED IN LIGHT RATES**  
**PLEASE SEE DEFINITIONS FOR**  
**GRU LIGHT RATE CLASSES**

**Rental Agency Street Light Rate Class -  
(Mass Change Out)**

**Light Type** **\*Monthly**  
**Rate**

**Roadway Lights:**

LED Roadway Cutoff 1N (gray) (3000K) (Light Type L61) .....	\$ 6.70
LED Roadway Cutoff 2 (gray) (3000K) (Light Type L62) .....	\$ 9.45
LED Roadway Cutoff 3 (gray) (3000K) (Light Type L63) .....	\$ 11.15
LED Roadway Cutoff 4 (gray) (3000K) (Light Type L64) .....	\$ 15.10
LED Roadway Cutoff 2 (black) (3000K) (Light Type L65) .....	\$ 9.45
LED Roadway Cutoff 3 (black) (3000K) (Light Type L66) .....	\$ 11.15
LED Roadway Cutoff 4 (black) (3000K) (Light Type L67) .....	\$ 15.10

**Decorative Roadway Lights:**

LED - Round Roadway (Light Type L68).....	\$ 34.20
LED Teardrop Roadway on 2'-0" Mounting Arm Bracket (black) (Light Type L70)..	\$ 28.95
LED Teardrop Roadway on 4'-0" Mounting Arm Bracket (black) (Light Type L71)..	\$ 28.95
LED - Pendant Roadway (black) (Light Type L72).....	\$ 24.10

**Decorative Pedestrian Lights:**

LED Acorn Pedestrian - (Black) (Light Type L69) .....	\$ 25.50
LED Small Pendant Pedestrian - (black) (Light Type L73) .....	\$ 22.20

**\* Monthly Rates DO NOT include Fuel Adjustment Charges, Fees, or Taxes**

**POLE RATES ARE NOT INCLUDED IN LIGHT RATES  
PLEASE SEE DEFINITIONS FOR  
GRU LIGHT RATE CLASSES**

**Rental Light Pole Rates -  
(Commercial & Residential)**

<b><u>Pole Type</u></b>	<b>* <u>Monthly Rate</u></b>
30 Ft. Non - Tapped Aluminum (Pole Type P11) .....	\$ 30.75
12 Ft. Non - Tapped Aluminum (Pole Type P21) .....	\$ N/A
10 Ft. Concrete (black "fluted" decorative) (Pole Type P1) .....	\$ 15.00
30 Ft. Concrete (Pole Type P9) .....	\$ 6.50
35 Ft. Concrete (Pole Type P13) .....	\$ 6.75
35 Ft. Concrete (black octagonal) (Pole Type P14) .....	\$ 18.25
40 Ft. Concrete (black octagonal) (Pole Type P17) .....	\$ 27.75
40 Ft. Concrete (Pole Type P16) .....	\$ 8.75
45 Ft. Concrete (Pole Type P19) .....	\$ 9.25
30 Ft. Fiberglass (break-a-way) (Pole Type P10) .....	\$ 15.00
18 Ft. Steel Black "Bottleneck" (Pole Type P5) .....	\$ 22.00
26 Ft. Steel Black "Bottleneck" (Pole Type P7) .....	\$ 35.50
30 Ft. Wood (Pole Type P8) .....	\$ 4.50
35 Ft. Wood (Pole Type P12) .....	\$ 4.75
40 Ft. Wood (Pole Type P15) .....	\$ 5.00
45 Ft. Wood (Pole Type P18) .....	\$ 15.00

\* Monthly Rates DO NOT include Fuel Adjustment Charges, Fees, or Taxes

**POLE RATES ARE NOT INCLUDED IN LIGHT RATES  
PLEASE SEE DEFINITIONS FOR  
GRU LIGHT RATE CLASSES**

**Rental Agency Light Rate Class -  
(Residential/Commercial - Contributed)**

**Light Type** **\* Monthly Rate**

**Roadway Lights:**

LED Roadway Cutoff 1N (gray) (3000K) (Light Type L38) .....	\$ 2.70
LED Roadway Cutoff 2 (gray) (3000K) (Light Type L39) .....	\$ 4.30
LED Roadway Cutoff 3 (gray) (3000K) (Light Type L40) .....	\$ 5.60
LED Roadway Cutoff 4 (gray) (3000K) (Light Type L41) .....	\$ 8.80
LED Roadway Cutoff 5 (gray) (3000K) (Light Type L45)(FDOT) .....	\$ 8.10
LED Roadway Cutoff 2 (black) (3000K) (Light Type L42) .....	\$ 4.30
LED Roadway Cutoff 3 (black) (3000K) (Light Type L43) .....	\$ 5.60
LED Roadway Cutoff 4 (black) (3000K) (Light Type L44) .....	\$ 8.80
LED Roadway Cutoff 5 (black) (3000K) (Light Type L46)(FDOT) .....	\$ 8.10

**Decorative Roadway Lights:**

LED - Round Roadway (Light Type L51) .....	\$ 10.45
LED Teardrop Roadway on 2'-0" Mounting Arm Bracket (black) (Light Type L53)	\$ 6.15
LED Teardrop Roadway on 4'-0" Mounting Arm Bracket (black) (Light Type L54)	\$ 6.15
LED - Pendant Roadway (black) (Light Type L55).....	\$ 4.15

**LED Floodlights:**

LED Floodlight 1 (Light Type L57).....	\$ 0.89
LED Floodlight 2 (Light Type L58).....	\$ 3.90
LED Floodlight 3 (Light Type L59).....	\$ 6.77

**Floodlight:**

**Decorative Pedestrian Lights:**

LED Acorn Pedestrian - (Black) (Light Type L52) .....	\$ 4.30
LED Small Pendant Pedestrian - (black) (Light Type L56) .....	\$ 3.75

\* Monthly Rates DO NOT include Fuel Adjustment Charges, Fees, or Taxes

**POLE RATES ARE NOT INCLUDED IN LIGHT RATES  
PLEASE SEE DEFINITIONS FOR  
GRU LIGHT RATE CLASSES**

## GRU Rental Light Rate Material Matrix

### **LED ROADWAY LIGHTS:**

Gray:

- LED Roadway Cutoff 1N - (gray) (Light Type L38 and L61)  
(Rate includes: Fixture, 4ft. Mounting Arm, Photo Control, Connectors, Wire)
- LED Roadway Cutoff 2 - (gray) (Light Type L39 and L62)  
(Rate includes: Fixture, 10 ft. Mounting Arm, Photo Control, Connectors, Wire)
- LED Roadway Cutoff 3 - (gray) (Light Type L40 and L63)  
(Rate includes: Fixture, 10 ft. Mounting Arm, Photo Control, Connectors, Wire)
- LED Roadway Cutoff 4 - (gray) (Light Type L41 and L64)  
(Rate includes: Fixture, 10 ft. Mounting Arm, Photo Control, Connectors, Wire)

Black:

- LED Roadway Cutoff 2 - (black) (Light Type L42 and L65)  
(Rate includes: Fixture, 10 ft. Mounting Arm, Photo Control, Connectors, Wire)
- LED Roadway Cutoff 3 - (black) (Light Type L43 and L66)  
(Rate includes: Fixture, 10 ft. Mounting Arm, Photo Control, Connectors, Wire)
- LED Roadway Cutoff 4 - (black) (Light Type L44 and L67)  
(Rate includes: Fixture, 10 ft. Mounting Arm, Photo Control, Connectors, Wire)
  
- LED Round Roadway - (black) (Light Type L51 and L68)  
(Rate includes: Fixture, Photo Control, Connectors, Wire)
  
- LED Teardrop Roadway - (black) on 2'-0" Mounting Arm Bracket (Light Type L53 and L70)  
(Rate includes: Fixture, 2 ft. Mounting Arm, Photo Control, Connectors, Wire)
- LED Teardrop Roadway - (black) on 4'-0" Mounting Arm Bracket (Light Type L54 and L71)  
(Rate includes: Fixture, 4 ft. Mounting Arm, Photo Control, Connectors, Wire)
  
- LED Pendant Roadway - (black) (Light Type L55 and L72)  
(Rate includes: Fixture, Mounting Arm, Photo Control, Connectors, Wire)

### **LED FLOODLIGHT:**

- LED Floodlight 1 (Light Type L57)  
(Rate includes: Fixture, Mounting Arm, Photo Control, Connectors, Wire)
- LED Floodlight 2 (Light Type L58)  
(Rate includes: Fixture, Mounting Arm, Photo Control, Connectors, Wire)
- LED Floodlight 3 (Light Type L59)  
(Rate includes: Fixture, Mounting Arm, Photo Control, Connectors, Wire)

### **PEDESTRIAN LIGHT:**

- LED Acorn Pedestrian - (Black) (Light Type L52 and L69)  
(Rate includes: Fixture, Photo Control, Connectors, Wire)
  
- LED Small Pendant Pedestrian - (black) (Light Type L56 and L73)  
(Rate includes: Fixture, Mounting Arm, Photo Control, Connectors, Wire)



## GRU Light Manufacturer Information

### Manufacturers or Manufacture Representatives:

General Electric:        Joey McDonald (Manuf. Rep.)        Electric Sales Associates, Inc.  
13274 CR 200  
Oxford, FL 34484  
Email: joeym@electricsalesinc.com

Cyclone Lighting:        Ron Steedman (Manuf. Rep.)        R.J Steedman, LLC  
2268 SE 28th Street  
Cape Coral, FL 33904-3332  
Email: RLUMENATOR@aol.com

NOTE:  
Contact GRU to verify Manufacturers List

## GRU Pole Manufacturer Information

### Manufacturers or Manufacture Representatives:

#### Wood Poles:

T. R. Miller Mill Co., Inc.  
P.O. Box 708  
Brewton, Al. 36427  
Phone: (205) 867-4331

Ace Pole Co., Inc.  
Waycross Hwy. 82E  
P. O. Box 1323  
Phone: (912) 449-4011

Atlantic Wood Industries, Inc.  
P. O. Box 1608  
Savannah, Ga. 31498

Langdale Forest Products Co.  
P.O. Box 1088  
Valdosta, GA 31603  
Phone: (912) 964-1234

Swift Lumber, Inc.  
P. O. Box Drawer 1298  
Atmore, Al. 36502  
Phone: (205) 368-2138

Apalachee Pole Company, Inc.  
P. O. Box 7  
Graceville, Fl. 32440  
Phone: (904) 643-2121  
(Send RFQ To: P.O. Box 68,  
Bristol, Fl. 32321)

#### Concrete Poles:

#### Dura-Stress

#### Philips/Lumec Poles:

Gary Woods (Rep.)

SESCO Lighting  
8110 Cypress Plaza Drive, Suite 301  
Jacksonville, FL 32256  
Phone: (904) 646-4772  
Email: gwood@sescolighting.com

#### Traditional Concrete, Inc.

Judy Graddy

JAG Lighting Solutions, Inc..  
Phone: (407) 760-9817  
jgraddy@Jaglightingsolutions.com

#### NOTE:

Contact GRU to verify Manufacturers List

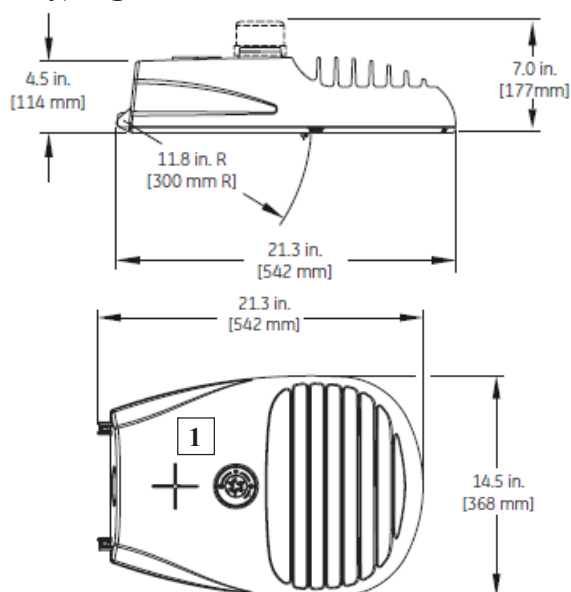
This Page Intensionally Left Blank



**LED Roadway Cutoff - (Gray) Light**  
(Light Types L38, L39, L40, L41; Pole Types P9, P13, P16, P19, P10, P8, P12, P15, P18)

## GRU Lights, Poles and Brackets, cont.

### LED Roadway Cutoff 1 - (Gray) Light:



**GENERALELECTRICLIGHTING**

#### Description

LUMINAIRE, LED ROADWAY CUTOFF 1N, GRAY WITH DIE-CAST ALUMINUM HOUSING. **SEE COMPLETE SPECIFICATIONS ON PAGE L-90.00 THRU L-90.03.**

#### Manufacturer

GENERAL ELECTRIC

#### Catalog No.

ERL1-0-05-A3-30-A  
GRAY-GLR-176

#### SPECIFICATIONS:

LAMP WATTAGE RANGE: 45 TO 55 WATTS  
LUMEN RANGE: 4800 TO 5000  
VOLTAGE: 120 - 277 VOLTS  
(WIRED FOR 120V.)

#### LIGHT DISTRIBUTION -

IES TYPE: II - NARROW  
COLOR TEMPERATURE (CCA): 3,000 K. +/- 300  
COLOR RENDERING INDEX: 70  
OPERATING TEMPERATURE: -4 TO 122 F.  
SURGE PROTECTION (MIN.): 10kV/10kA  
INTERNAL BUBBLE LEVEL  
TOOL-LESS ENTRY  
NEMA PHOTOCONTROL RECEPTACLE  
EXTERNAL FIELD I.D. MARKER: A REFLECTIVE  
YELLOW "1" ON BLACK BACKGROUND (1-1/2" TALL)

ADJUSTABLE SLIPFITTER: 1-1/4" TO 2"

COLOR: GRAY

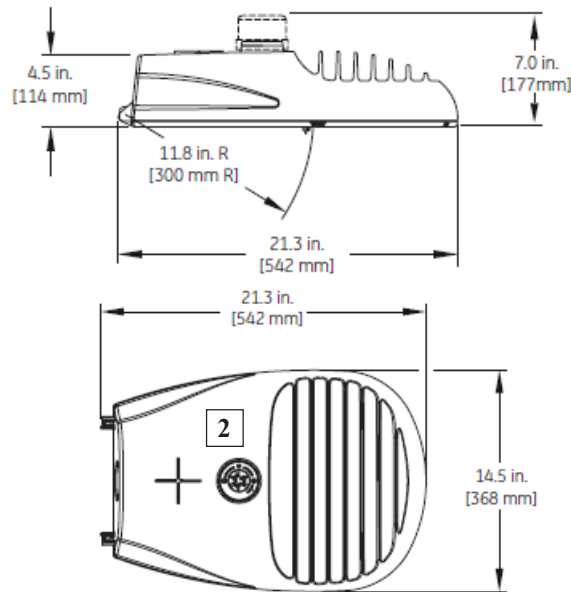
WEIGHT: 18 LBS.

#### NOTE:

20 YEAR PHOTOCONTROL LISTED ON ELECTRIC STANDARDS PAGE P-5.45, S/N 58146-1

## GRU Lights, Poles and Brackets, cont.

### LED Roadway Cutoff 2 - (Gray) Light:



**GENERALELECTRICLIGHTING**

#### Description

LUMINAIRE, LED ROADWAY CUTOFF 2, GRAY WITH DIE-CAST ALUMINUM HOUSING. **SEE COMPLETE SPECIFICATIONS ON PAGE L-90.00 THRU L-90.03.**

#### Manufacturer

GENERAL ELECTRIC

#### Catalog No.

ERL1-0-09-C3-30-A-GRAY-GLR-111

#### SPECIFICATIONS:

LAMP WATTAGE RANGE: 80 TO 105 WATTS  
 LUMENS RANGE: 8,000 TO 8,800  
 VOLTAGE: 120 - 277 VOLTS  
 (WIRED FOR 120V.)

#### LIGHT DISTRIBUTION -

IES TYPE: III  
 COLOR TEMPERATURE (CCA): 3,000 K. +/- 300  
 COLOR RENDERING INDEX: 70 MIN.  
 OPERATING TEMPERATURE: -4 TO 122 F.  
 SURGE PROTECTION (MIN.): 10kV/10kA  
 INTERNAL BUBBLE LEVEL  
 TOOL-LESS ENTRY: YES  
 NEMA PHOTOCONTROL RECEPTACLE  
 EXTERNAL FIELD I.D. MARKER: A REFLECTIVE  
 YELLOW "1" ON BLACK BACKGROUND (1-1/2" TALL)

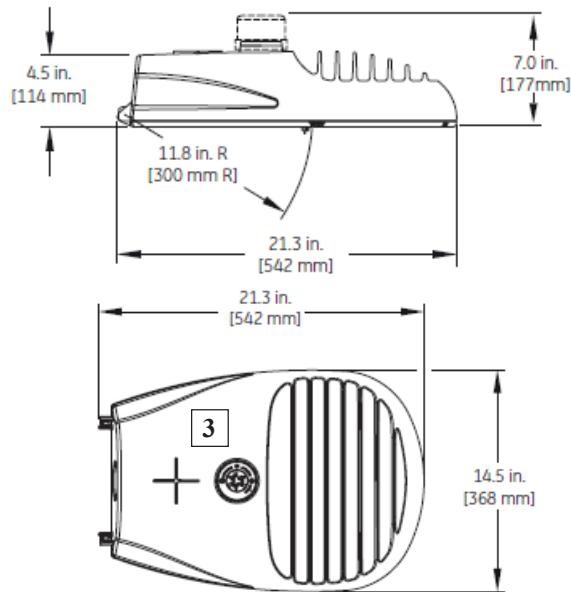
ADJUSTABLE SLIPFITTER: 1-1/4" TO 2"  
 COLOR: GRAY  
 WEIGHT: 18 LBS.

#### NOTE:

20 YEAR PHOTOCONTROL LISTED ON ELECTRIC STANDARDS PAGE P-5.45, S/N 58146-1

## GRU Lights, Poles and Brackets, cont.

### LED Roadway Cutoff 3 - (Gray) Light:



**GENERALELECTRICLIGHTING**

Description

LUMINAIRE, LED ROADWAY CUTOFF 3, GRAY WITH DIE-CAST ALUMINUM HOUSING. **SEE COMPLETE SPECIFICATIONS ON PAGE L-90.00 THRU L-90.03.**

Manufacturer

GENERAL ELECTRIC

Catalog No.

ERLH-0-13-C3-30-A-GRAY-GLR-052

SPECIFICATIONS:

LAMP WATTAGE RANGE: 140 TO 155 WATTS  
 LUMEN RANGE: 12,500 TO 13,500  
 VOLTAGE: 120 - 277 VOLTS  
 (WIRED FOR 120V.)

LIGHT DISTRIBUTION -

IES TYPE: III  
 COLOR TEMPERATURE (CCA): 3,000 K. +/- 300  
 COLOR RENDERING INDEX: 70  
 OPERATING TEMPERATURE: -4 TO 122 F.  
 SURGE PROTECTION (MIN.): 10kV/10kA  
 INTERNAL BUBBLE LEVEL  
 TOOL-LESS ENTRY: YES  
 EXTERNAL FIELD I.D. MARKER: A REFLECTIVE YELLOW "1" ON BLACK BACKGROUND (1-1/2" TALL)

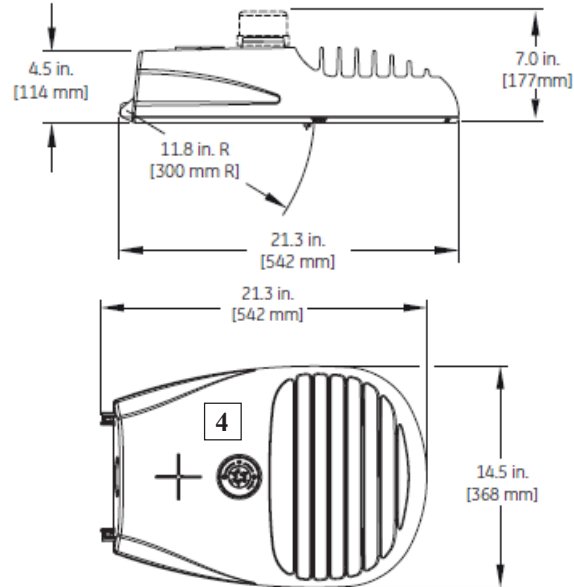
ADJUSTABLE SLIPFITTER: 1-1/4" TO 2"  
 COLOR: GRAY  
 WEIGHT: 20 - 25 LBS.

NOTE:

20 YEAR PHOTOCONTROL LISTED ON ELECTRIC STANDARDS PAGE P-5.45, S/N 58121-6

## GRU Lights, Poles and Brackets, cont.

### LED Roadway Cutoff 4 - (Gray) Light:



### GENERALELECTRICLIGHTING

#### Description

LUMINAIRE, LED ROADWAY CUTOFF 4, GRAY WITH DIE-CAST ALUMINUM HOUSING. **SEE COMPLETE SPECIFICATIONS ON PAGE L-90.00 THRU L-90.03.**

#### Manufacturer

GENERAL ELECTRIC

#### Catalog No.

ERL2-0-23-C3-30-A-GRAY-GLR-032

#### SPECIFICATIONS:

LAMP WATTAGE RANGE: 190 TO 230 WATTS  
 LUMEN RANGE: 21,000 TO 23,000  
 VOLTAGE: 120 - 277 VOLTS  
 (WIRED FOR 120V.)

#### LIGHT DISTRIBUTION -

IES TYPE: III  
 COLOR TEMPERATURE (CCA): 3,000 K. +/- 300  
 COLOR RENDERING INDEX: 70  
 OPERATING TEMPERATURE: -4 TO 122 F.  
 SURGE PROTECTION (MIN.): 10kV/10kA  
 INTERNAL BUBBLE LEVEL  
 TOOL-LESS ENTRY: YES  
 EXTERNAL FIELD I.D. MARKER: A REFLECTIVE  
 YELLOW "1" ON BLACK BACKGROUND (1-1/2" TALL)

ADJUSTABLE SLIPFITTER: 1-1/4" TO 2"  
 COLOR: GRAY  
 WEIGHT: 20 TO 25 LBS.

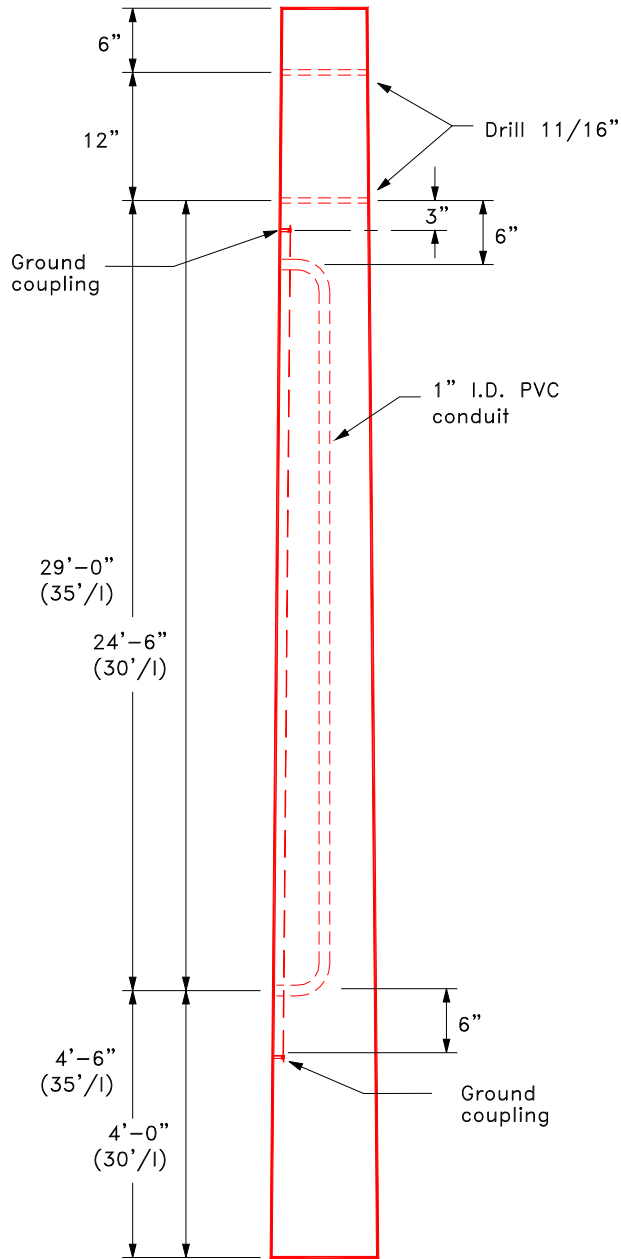
#### NOTE:

20 YEAR PHOTOCONTROL LISTED ON ELECTRIC STANDARDS PAGE P-5.45, S/N 58131-3



## GRU Lights, Poles and Brackets, cont.

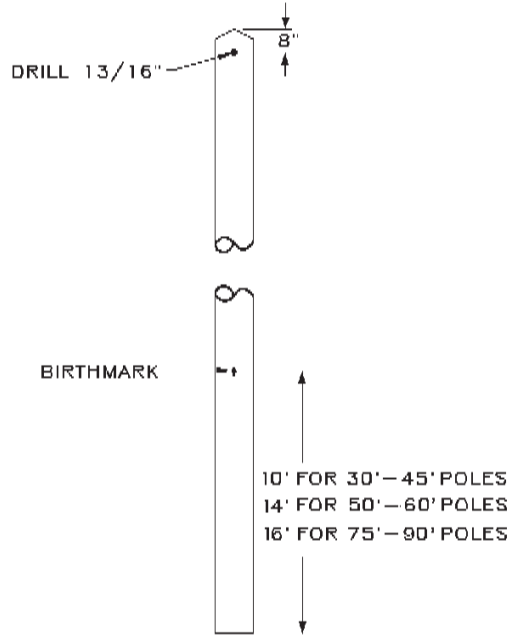
### Concrete Poles for Standard (Gray) LED Roadway Cutoff Lights:



<u>Description</u>	<u>Manufacturer</u>	<u>Catalog No.</u>
CONCRETE POLE	ACCORD INDUSTRIES, PRESTRESSED POLE DIV.	
HEIGHT/TYPE (APR. WEIGHT):	DURA-STRESS, INC.	
30/I (1,360 LBS.)		
35/I (1,800 LBS.)		

## GRU Lights, Poles and Brackets, cont.

### Wood Poles for Standard (Gray) LED Roadway Cutoff Lights:



NOTE:

BIRTHMARK INCLUDES LENGTH IN FEET, POLE CLASS, MANUFACTURER'S MARK AND YEAR PRODUCED.

<u>Description</u>	<u>Manufacturer</u>	<u>Catalog No.</u>
CCA TREATED WOOD POLE, SOUTHERN PINE	<u>NOTE:</u> MANUFACTURERS ARE LISTED BELOW	
HEIGHT/CLASS (APPROXIMATE WEIGHT:)		
30'/6 (606 LBS.)		NONE
35'/5 (888 LBS.)		NONE
<u>APPRIVED MANUFACTURERS</u>		
1. T. R. Miller Mill Co., Inc. P.O. Box 708 Brewton, Al. 36427 Phone: (205) 867-4331	4. Apalachee Pole Company, Inc. P. O. Box 7 Graceville, Fl. 32440 Phone: (904) 643-2121 (Send RFQ To: P.O. Box 68 Bristol, Fl. 32321)	
2. Atlantic Wood Industries, Inc. P. O. Box 1608 Savannah, Ga. 31498 Phone: (912) 964-1234	5. Ace Pole Co., Inc. Waycross Hwy. 82E P. O. Box 1323 Waycross, Ga. 31501 Phone: (912) 449-4011	
3. Swift Lumber, Inc. P. O. Box Drawer 1298 Atmore, Al. 36502 Phone: (205) 368-2138	6. Langdale Forest Products Co. P.O. Box 1088 Valdosta, GA 31603	

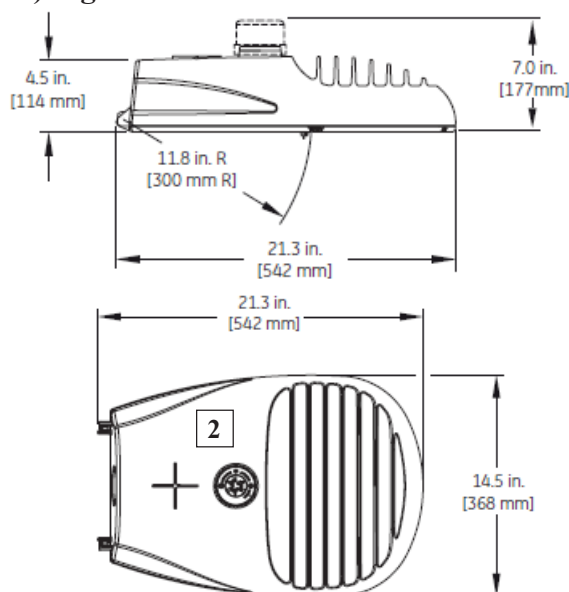
This Page Intensionally Left Blank



**LED Roadway Cutoff - (Black) Light:**  
(Light Type L42, L43, L44; Pole Type P14, P17)

## GRU Lights, Poles and Brackets, cont.

### LED Roadway Cutoff 2 - (Black) Light:



### GENERALELECTRICLIGHTING

#### Description

LUMINAIRE, LED ROADWAY CUTOFF 2, BLACK WITH DIE-CAST ALUMINUM HOUSING. **SEE COMPLETE SPECIFICATIONS ON PAGE L-90.00 THRU L-90.03.**

#### Manufacturer

GENERAL ELECTRIC

#### Catalog No.

ERL1-0-09-C3-30-A-  
BLCK-GLR-111

#### SPECIFICATIONS:

LAMP WATTAGE RANGE: 80 TO 105 WATTS  
LUMEN RANGE: 8,000 TO 8,800  
VOLTAGE: 120 - 277 VOLTS  
(WIRED FOR 120V.)

#### LIGHT DISTRIBUTION -

IES TYPE: III  
COLOR TEMPERATURE (CCA): 3,000 K. +/- 300  
COLOR RENDERING INDEX: 70  
OPERATING TEMPERATURE: -4 TO 122 F.  
SURGE PROTECTION (MIN.): 10kV/10kA  
INTERNAL BUBBLE LEVEL  
TOOL-LESS ENTRY: YES  
NEMA PHOTOCONTROL RECEPTACLE  
EXTERNAL FIELD I.D. MARKER: A REFLECTIVE  
YELLOW "1" ON BLACK BACKGROUND (1-1/2" TALL)

ADJUSTABLE SLIPFITTER: 1-1/4" TO 2"

COLOR: BLACK

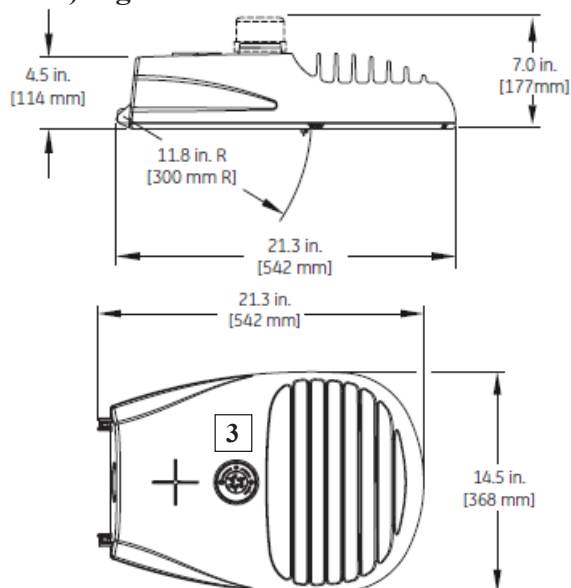
WEIGHT: 18 LBS.

#### NOTE:

20 YEAR PHOTOCONTROL LISTED ON ELECTRIC  
STANDARDS PAGE P-5.45, S/N 58151-8

## GRU Lights, Poles and Brackets, cont.

### LED Roadway Cutoff 3 - (Black) Light:



**GENERALELECTRICLIGHTING**

Description

LUMINAIRE, LED ROADWAY CUTOFF 3, BLACK WITH DIE-CAST ALUMINUM HOUSING. **SEE COMPLETE SPECIFICATIONS ON PAGE L-90.00 THRU L-90.03.**

Manufacturer

GENERAL ELECTRIC

Catalog No.

ERLH-0-13-C3-30-A-  
BLCK-GLR-052

SPECIFICATIONS:

LAMP WATTAGE RANGE: 140 TO 155 WATTS  
 LUMEN RANGE: 12,500 TO 13,500  
 VOLTAGE: 120 - 277 VOLTS  
 (WIRED FOR 120V.)

LIGHT DISTRIBUTION -

IES TYPE: III  
 COLOR TEMPERATURE (CCA): 3,000 K. +/- 300  
 COLOR RENDERING INDEX: 70  
 OPERATING TEMPERATURE: -4 TO 122 F.  
 SURGE PROTECTION (MIN.): 10kV/10kA  
 INTERNAL BUBBLE LEVEL  
 TOOL-LESS ENTRY: YES  
 EXTERNAL FIELD I.D. MARKER: A REFLECTIVE  
 YELLOW "1" ON BLACK BACKGROUND (1-1/2" TALL)

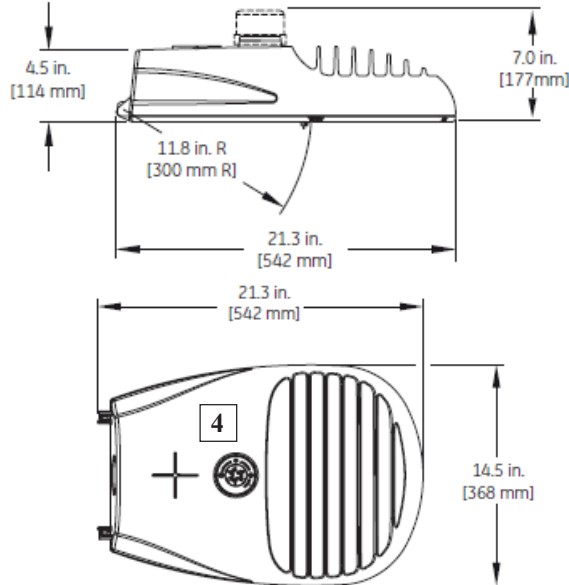
ADJUSTABLE SLIPFITTER: 1-1/4" TO 2"  
 COLOR: BLACK  
 WEIGHT: 20 - 25 LBS.

NOTE:

20 YEAR PHOTOCONTROL LISTED ON ELECTRIC  
 STANDARDS PAGE P-5.45, S/N 58151-8

## GRU Lights, Poles and Brackets, cont.

### LED Roadway Cutoff 4 - (Black) Light:



### GENERALELECTRICLIGHTING

Description

LUMINAIRE, LED ROADWAY CUTOFF 4, BLACK WITH DIE-CAST ALUMINUM HOUSING. **SEE COMPLETE SPECIFICATIONS ON PAGE L-90.00 THRU L-90.03.**

Manufacturer

GENERAL ELECTRIC

Catalog No.

ERL2-0-23-C3-30-A-  
BLCK-GLR-032

SPECIFICATIONS:

LAMP WATTAGE RANGE: 190 TO 230 WATTS  
 LUMEN RANGE: 21,000 TO 23,000  
 VOLTAGE: 120 - 277 VOLTS  
 (WIRED FOR 120V.)

LIGHT DISTRIBUTION -

IES TYPE: III  
 COLOR TEMPERATURE (CCA): 3,000 K. +/- 300  
 COLOR RENDERING INDEX: 70  
 OPERATING TEMPERATURE: -4 TO 122 F.  
 SURGE PROTECTION (MIN.): 10kV/10kA  
 INTERNAL BUBBLE LEVEL  
 TOOL-LESS ENTRY: YES  
 EXTERNAL FIELD I.D. MARKER: A REFLECTIVE  
 YELLOW "1" ON BLACK BACKGROUND (1-1/2" TALL)

ADJUSTABLE SLIPFITTER: 1-1/4" TO 2"  
 COLOR: BLACK  
 WEIGHT: 20 - 25 LBS.

NOTE:

20 YEAR PHOTOCONTROL LISTED ON ELECTRIC  
 STANDARDS PAGE P-5.45, S/N 58151-8

## GRU Lights, Poles and Brackets, cont.

### 35 Foot Black Standard LED Roadway Cutoff Lights Pole:

See Illustration on page 23

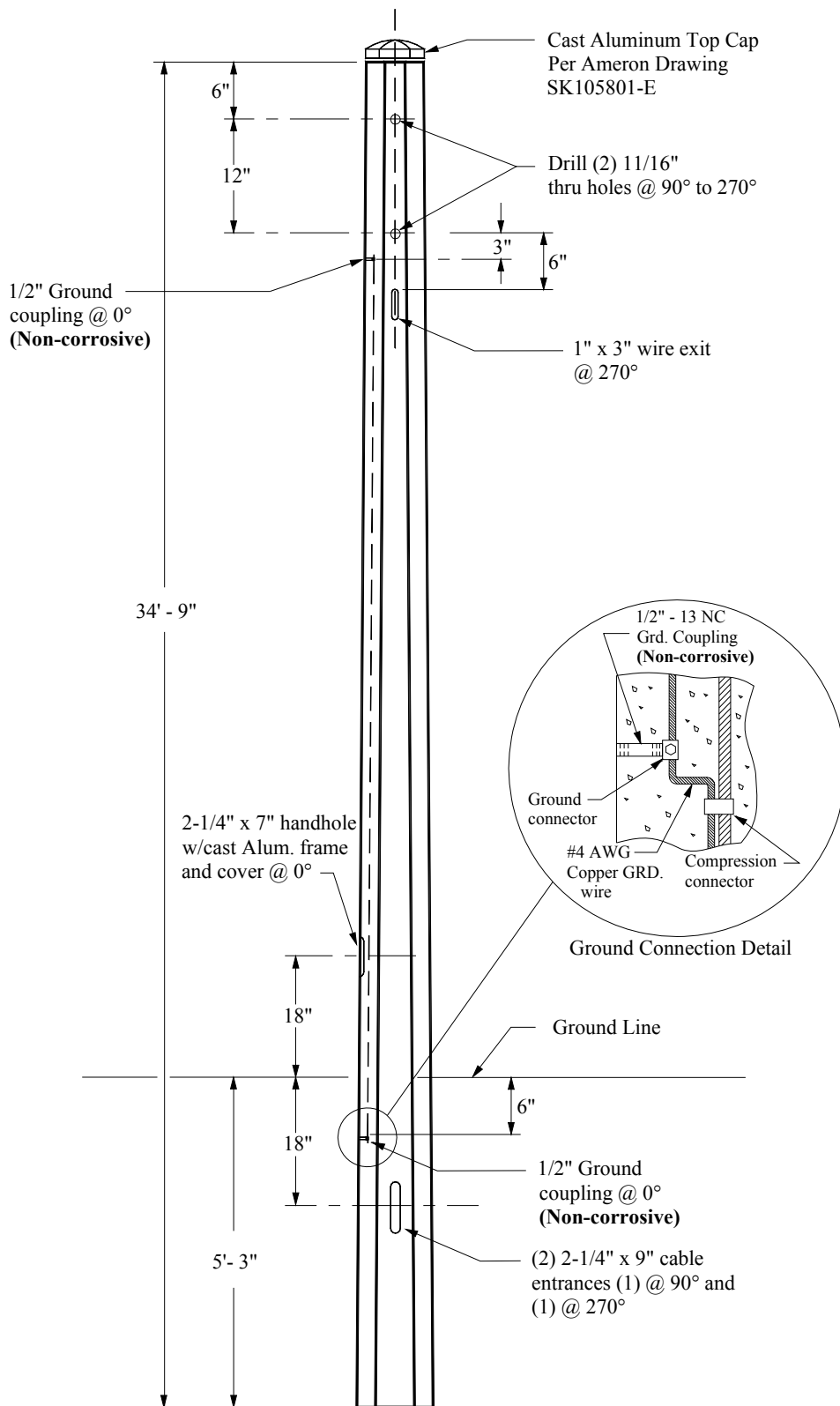
---

<u>Description</u>	<u>Manufacturer</u>	<u>Catalog No.</u>
DECORATIVE OCTAGONAL CONCRETE POLE WITH TOP CAP. TO BE USED FOR ROADWAY LIGHTING. SEE DRAWING ON PAGE 19, FOR POLE DRILLING SPECIFICATIONS AND OTHER DETAILS.		
<u>POLE SPECIFICATIONS:</u> POLE DIMENSIONS: OVERALL LENGTH: 34' - 9" BURIAL DEPTH: 5'-3"	* AMERON	MEO-9 (6P3A) POLE DWG.# SK105801 REV. E
** POLE COLOR: BLACK/BLACK (6P3A), EXPOSED FINISH, W/ARCHITECTURAL (ACRYLIC) GLOSS COATING		
WEIGHT: 1,300 LBS. EACH		
* <u>POSSIBLE SUPPLIER:</u> JAG LIGHTING SOLUTIONS, INC. JUDY GRADDY 1061 CHOKE CHERRY DRIVE WINTER SPRINGS, FL 32708 PHONE: (407) 695-8547 FAX: (407) 696-3018		
** <u>NOTE:</u> PAINT HANDHOLE COVER AND TENON "BLACK" TO MATCH POLE.		



## GRU Lights, Poles and Brackets, cont.

### 35 Foot Black Standard LED Roadway Cutoff Lights Pole:



## GRU Lights, Poles and Brackets, cont.

### **40 Foot Black Standard LED Roadway Cutoff Lights Pole:**

See Illustration on page 25

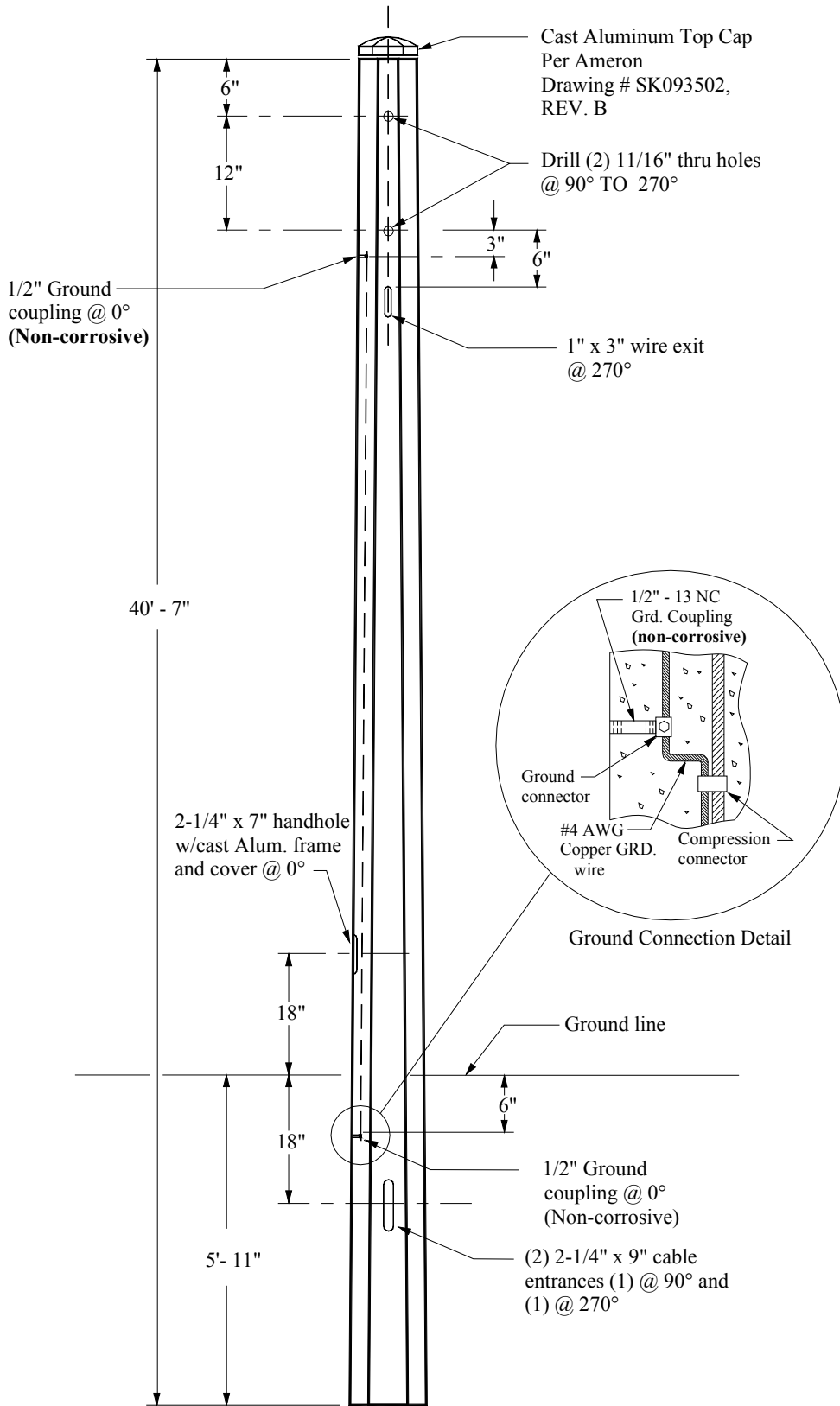
---

<u>Description</u>	<u>Manufacturer</u>	<u>Catalog No.</u>
DECORATIVE OCTAGONAL CONCRETE POLE WITH TOP CAP. TO BE USED FOR ROADWAY LIGHTING. SEE DRAWING ON PAGE 21, FOR POLE DRILLING SPECIFICATIONS AND OTHER DETAILS.		
<u>POLE SPECIFICATIONS:</u>		
POLE DIMENSIONS:	* AMERON	MEOX-10.6 (6P3A)
OVERALL LENGTH: 40' - 7"		POLE
BURIAL DEPTH: 5'-11"		DWG# SK093502
BUTT DIAMETER: 10"		REV. B
** POLE COLOR:BLACK/BLACK (6P3A), EXPOSED FINISH, W/ARCHITECTURAL (ACRYLIC) GLOSS COATING		
WEIGHT: 1,600 LBS. EACH		
* <u>POSSIBLE SUPPLIER:</u>		
JAG LIGHTING SOLUTIONS, INC. JUDY GRADDY 1061 CHOKE CHERRY DRIVE WINTER SPRINGS, FL 32708 PHONE: (407) 695-8547 FAX: (407) 696-3018		
** <u>NOTE:</u>		
PAINT HANDHOLE COVER AND TENON "BLACK" TO MATCH POLE.		

---

## GRU Lights, Poles and Brackets, cont.

### 40 Foot Black Standard LED Roadway Cutoff Lights Pole:

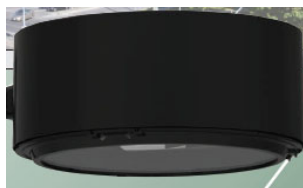




**LED Round Roadway Light - (Black)**  
(Light Type L51; Pole Type P11)

## GRU Lights, Poles and Brackets, cont.

### LED Round Roadway (Black) Light:



Description

LED "ROUND" DECORATIVE ROADWAY LUMINAIRE,  
WITH 7 PIN P.E. RECEPTACLE AND MOUNTING ARM.

Manufacturer

CYCLONE LIGHTING

Catalog No.

CD20S2A-FGC-3-  
120W-3K-120V-  
PTDR-BK-TX  
CP4323

WATAGE RANGE: 120 TO 230  
 COLOR TEMPERATURE: 3000K  
 LUMEN OUTPUT RANGE: 13,500 TO 14,500  
 LIGHT COLOR: BLACK  
 DIAMETER: 25"  
 DISTRIBUTION: TYPE III  
 PHOTO CONTROL RECEPTACLE: NEMA TWIST STYLE  
 - 7 PIN (ANSI C136.41)  
 VOLTAGE: 120V.

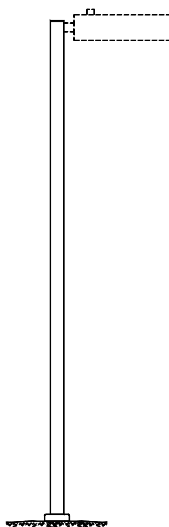


*CYCLONE LIGHTING*      *CD20SR45-GAL-3-  
120W-3K-120V-PTR-  
CP4323-RAL-9005TX*

**THIS CATALOG NUMBER HAS BEEN REVISED  
(SEE ABOVE)**

## GRU Lights, Poles and Brackets, cont.

### LED Round Roadway (Black) Light Pole:



ALUMINUM POLE USE  
WITH THE ROUND BLACK "KIM LIGHTING"  
LUMINAIRE

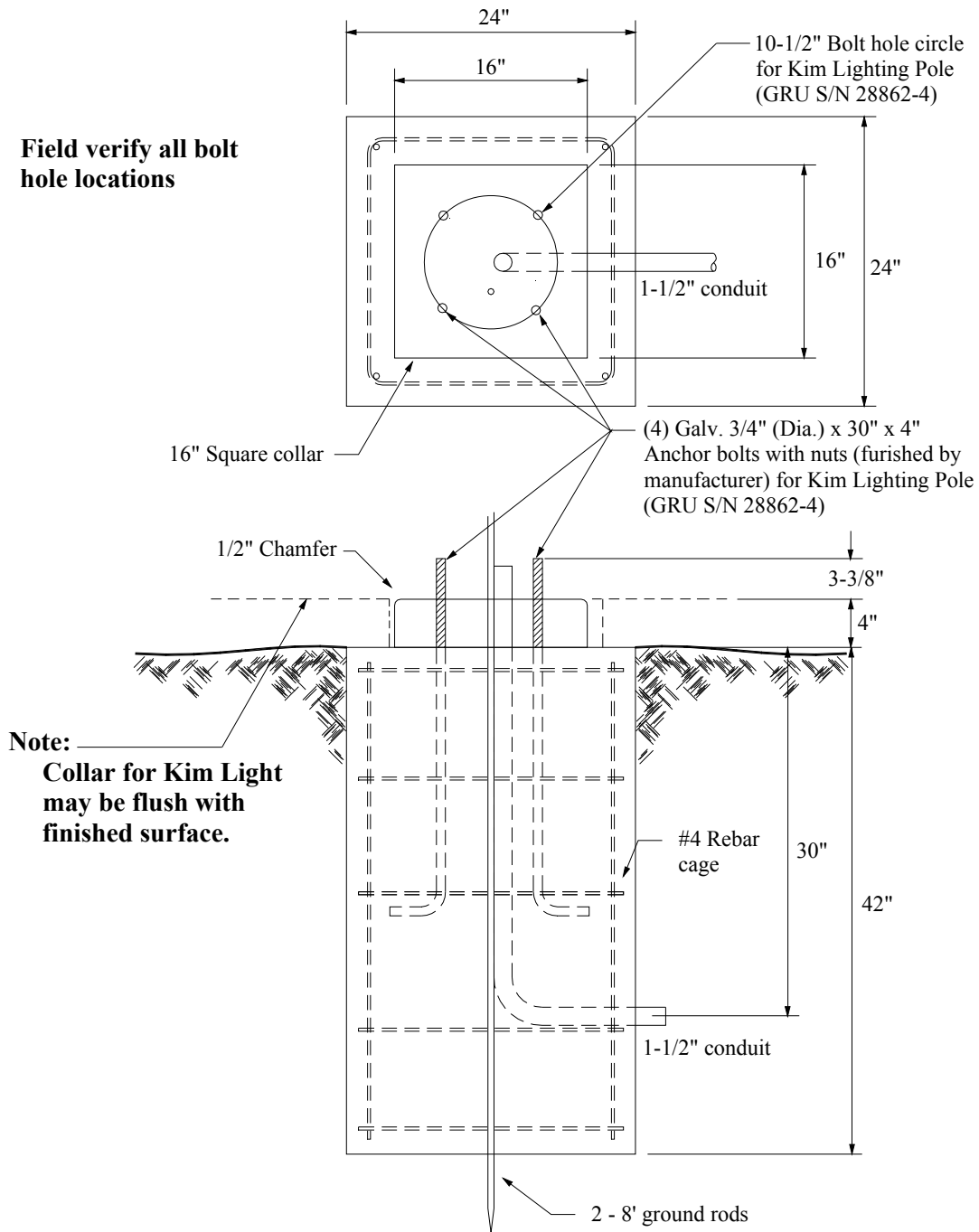
---

<u>Description</u>	<u>Manufacturer</u>	<u>Catalog No.</u>
NON-TAPERED ROUND ALUMINUM 30 FOOT (MOUNTING HEIGHT) POLE.  COLOR: BLACK		
NON-TAPERED ROUND ALUMINUM POLE	KIM LIGHTING	PRA30-6250-BL-P
	→ <b>REV.</b> NOVA POLES	NP60D30AB-BK-TX-GRU

**THIS POLE REQUIRES A CONCRETE FOUNDATION FOR INSTALLATION  
PROVIDED BY CUSTOMER. SEE FOUNDATION DRAWINGS ON  
PAGES 35 AND 36 OF THIS DOCUMENT**

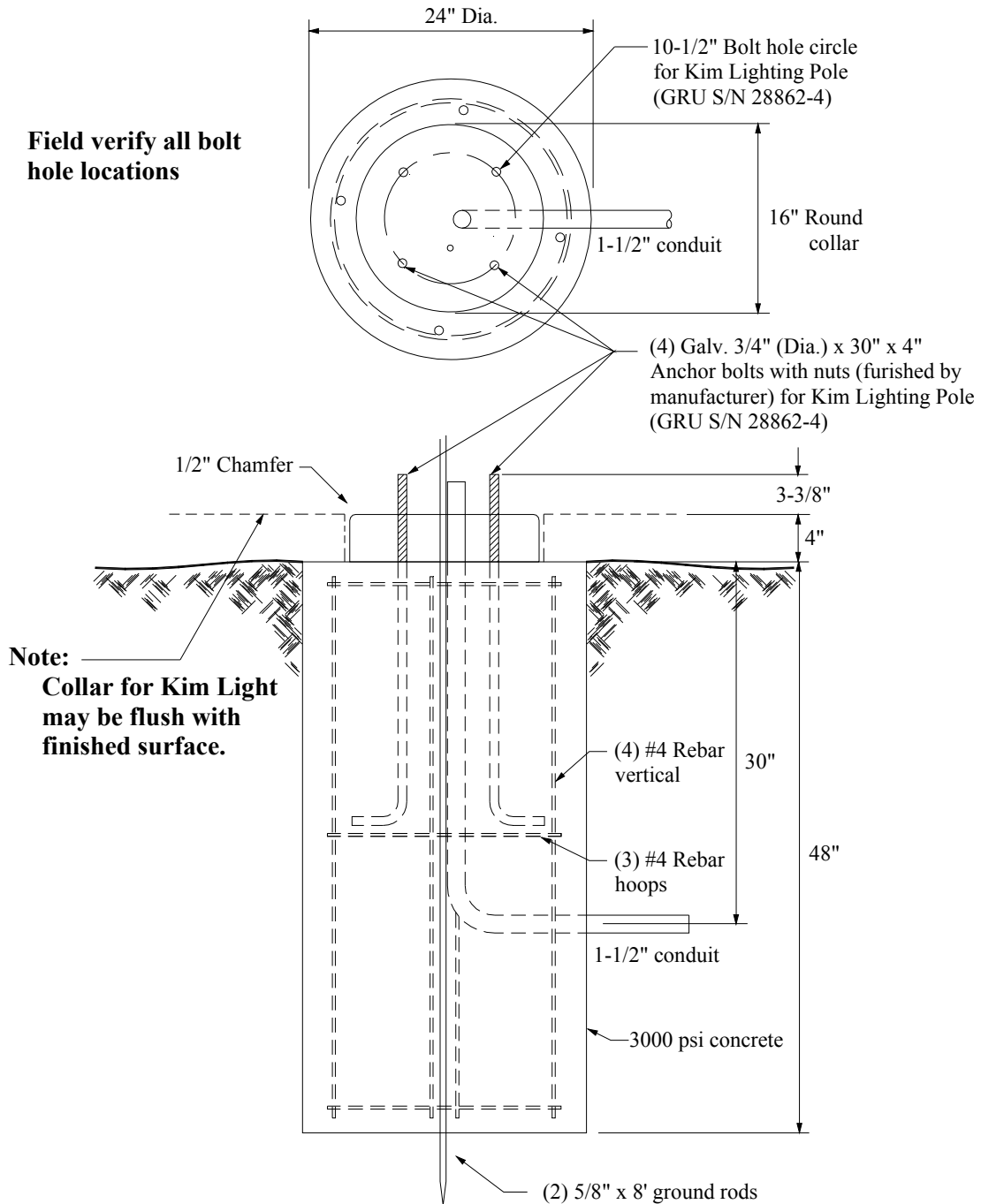
## GRU Lights, Poles and Brackets, cont.

### Square Concrete Foundation for PLED Round Roadway (Black) Light Pole:



## GRU Lights, Poles and Brackets, cont.

### Round Concrete Foundation for LED Round Roadway (Black) Light Pole:





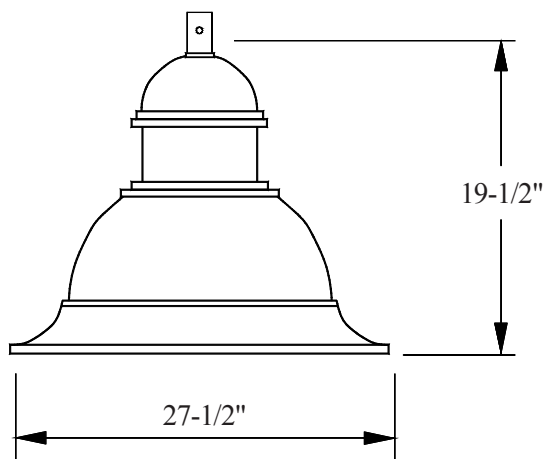
This Page Intensionally Left Blank



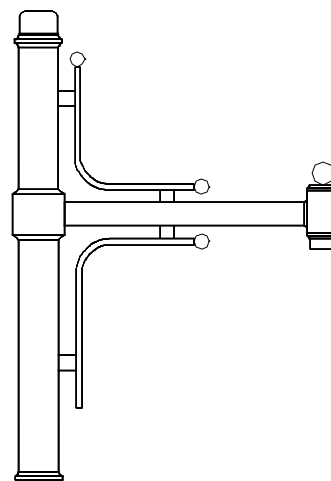
**LED Pendant Roadway Light**  
(Light Type L55; Pole Type P5)

## GRU Lights, Poles and Brackets, cont.

### LED Pendant Roadway Light:



**REV.** → PENDANT LIGHT



**REV.** → MOUNTING ARM (BRACKET)

Description

LED "PENDANT" DECORATIVE ROADWAY LUMINAIRE.  
TO BE USED IN RESIDENTIAL AREAS.

Manufacturer

Catalog No.

LUMINAIRE SPECIFICATIONS:

WATTAGE RANGE: 40 TO 60  
 LUMEN OUTPUT RANGE: 4,000 TO 5,000  
 COLOR TEMPERATURE: 3000K  
 PHOTO CONTROL: MOUNTED ON MOUNTING BRACKET  
 OPTICAL ASSEMBLY: IES TYPE III  
 FINISH COLOR: BLACK  
 WEIGHT: -----

\*CYCLONE LIGHTING  
(MODEL DOMIA)

CY55P1B-GAL-3-40W-3K-120-3F-RAL9005TX

← **REV.**

\*CYCLONE LIGHTING  
(MODEL DOMIA)

CY55P1B-FGC-3-40W-3K-120-BK-TX

**REV.** → \* PEMCO LIGHTING PRODUCTS

WIN-W1-NL-40W-3K-U-3-SMS-120-BK-TX

**REV.** → PENDANT MOUNTING ARM (BRACKET)

CYCLONE LIGHTING

M205-C1-T-45-CP3952-3M-PTDR-BK-TX

NOVA POLE

NPP-MM-24-PTR7-BK-TX

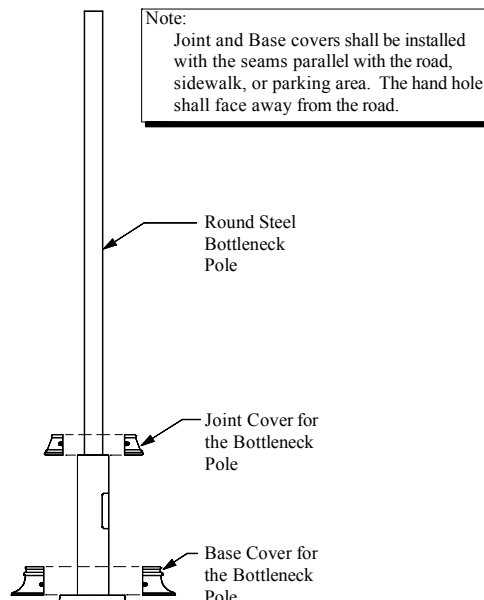
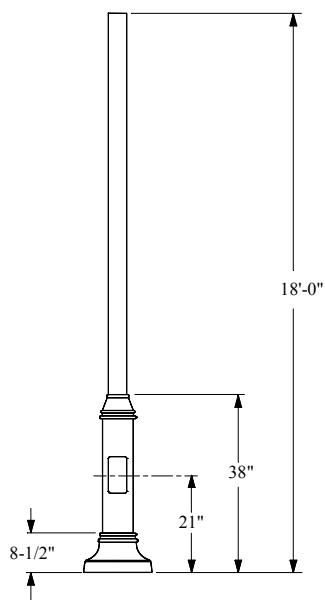
**ADAPTER BRACKETS LISTED ON PAGE L-75.26  
GRU ELECTRIC MATERIALS MANUAL**

**\* NOTE:**

**THE CYCLONE LUMINAIRE REQUIRES AN ADAPTER BRACKET WHEN INSTALLED ON A LUMEC MOUNTING ARM BRACKET. (SEE ELECTRIC PAGE L-75.26)**

## GRU Lights, Poles and Brackets, cont.

### LED Pendant Roadway Light Pole:



#### Description

ROUND STEEL BOTTLENECK POLE WITH BASE AND JOINT COVERS MADE OF TWO PIECES OF CAST ALUMINUM MECHANICALLY FASTENED TO THE BASE AND POLE WITH STAINLESS STEEL SCREWS. THIS POLE IS USED WITH THE 100 W. HIGH PRESSURE SODIUM "LUMEC" LUMINAIRE LISTED ON PAGE L-74.50, IN THIS MANUAL.

#### Manufacturer

#### Catalog No.

#### SPECIFICATIONS:

SIZE: 4' DIAMETER X 18 FEET  
ROUND

LUMEC (PHILIPS)

SM6F-18-BK-TX

MATERIAL: STEEL

BASE PLATE: 13"

BOLT CIRCLE: 10-1/2"

ANCHOR BOLTS: 3/4" DIA. X 27"

WEIGHT: 135 LBS.

COLOR: BLACK

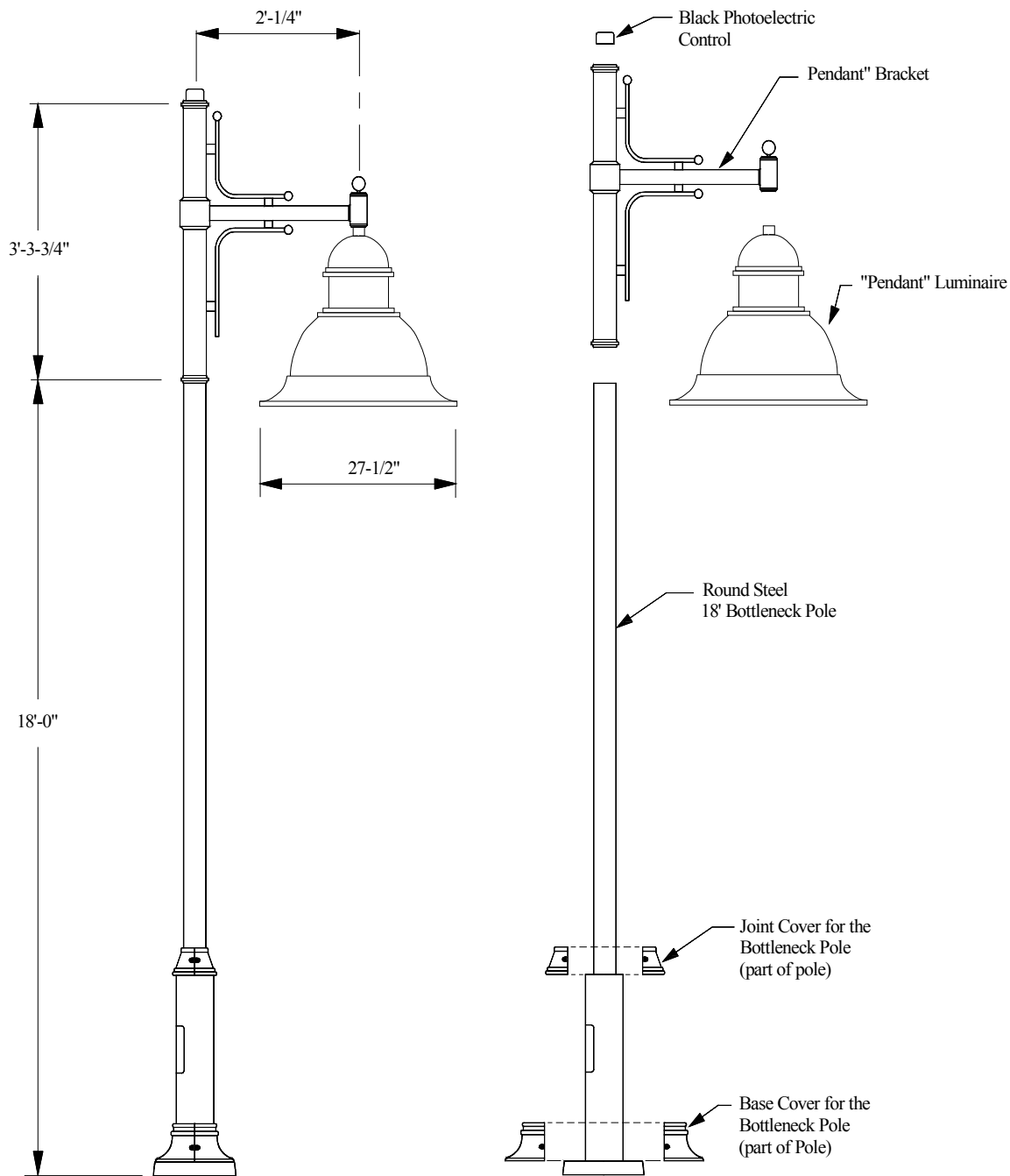
#### PARTS LIST:

- 1 - 4" X 18'-0" ROUND "BLACK" STEEL POLE
- 1 - TWO (2) PIECE JOINT COVER - BLACK
- 1 - TWO (2) PIECE BACE COVER - BLACK
- MOUNTING HARDWARE (SCREWS)

**THIS POLE REQUIRES A CONCRETE FOUNDATION FOR INSTALLATION  
PROVIDED BY CUSTOMER. SEE FOUNDATION DRAWINGS ON  
PAGES 42 AND 43 OF THIS DOCUMENT**

## GRU Lights, Poles and Brackets, cont.

### LED Pendant Roadway Light Pole:

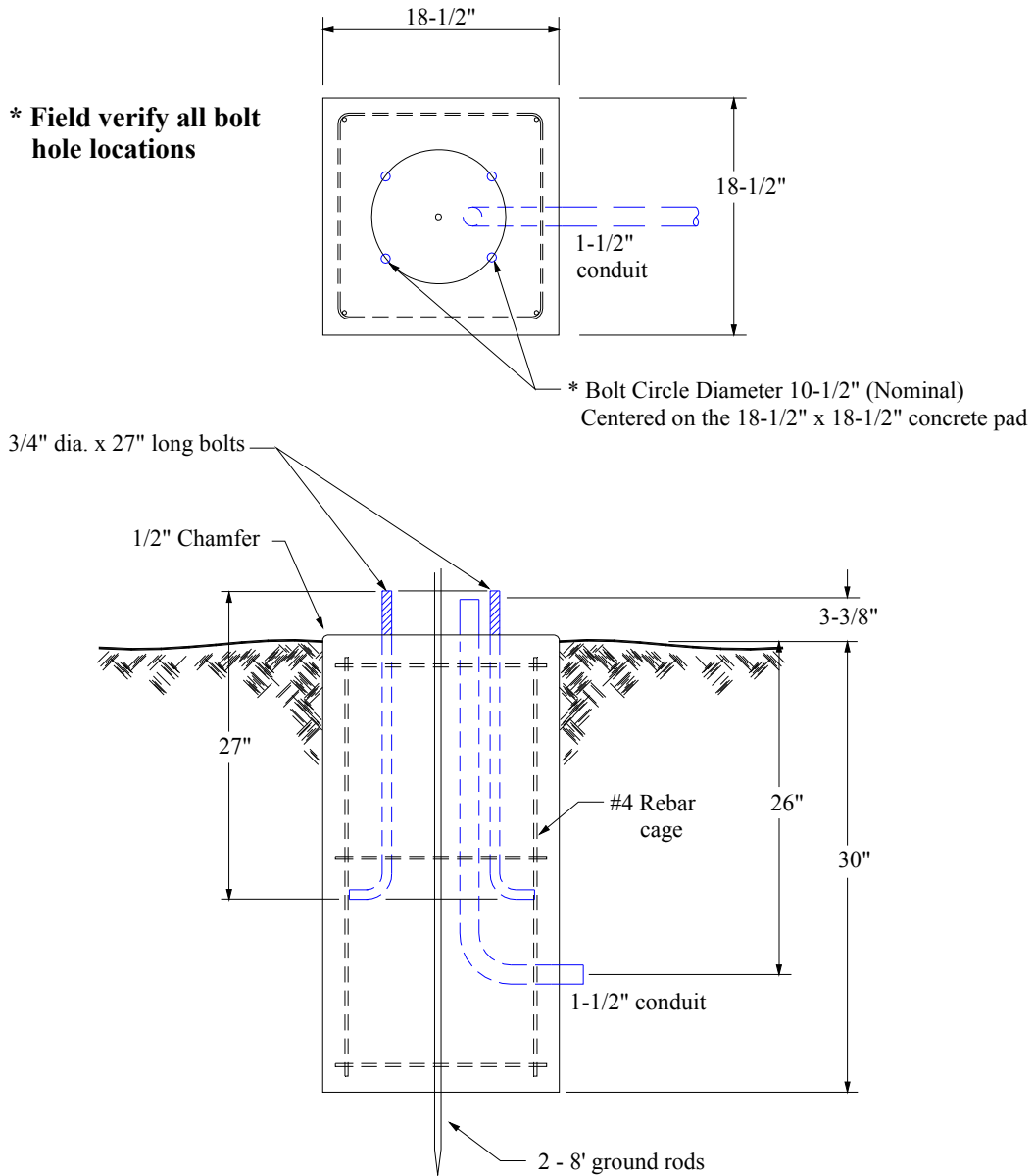


**Pendant Luminaire**  
**Assembled**

**THIS POLE REQUIRES A CONCRETE FOUNDATION FOR INSTALLATION  
PROVIDED BY CUSTOMER. SEE FOUNDATION DRAWINGS ON  
PAGES 42 AND 43 OF THIS DOCUMENT**

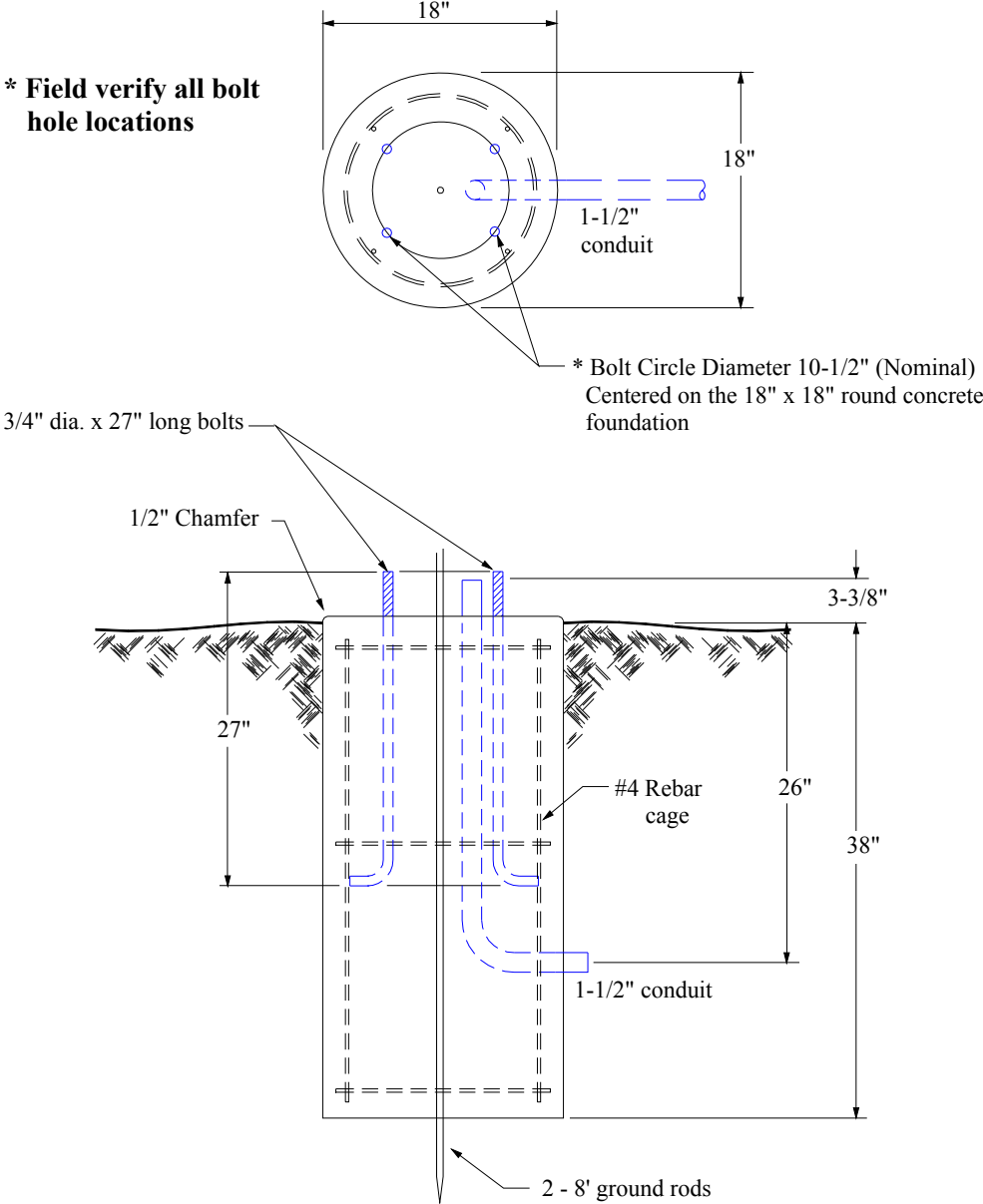
## GRU Lights, Poles and Brackets, cont.

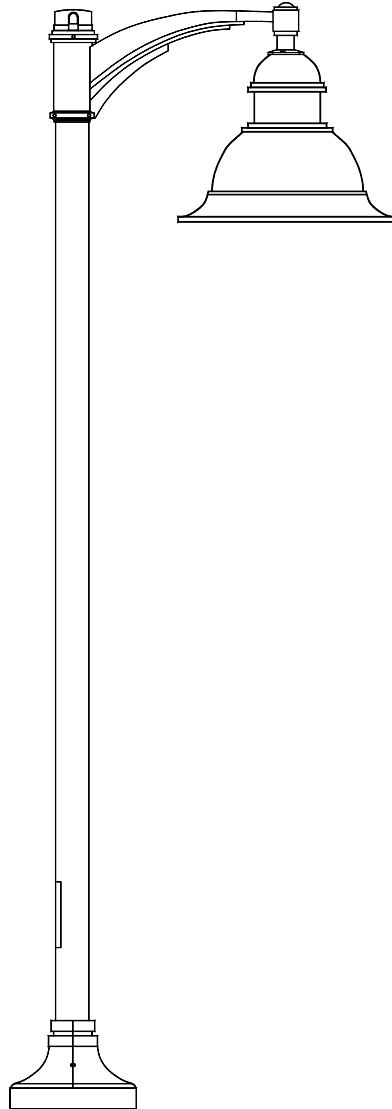
### Square Concrete Foundation for LED Pendant Roadway Light Pole:



**GRU Lights, Poles and Brackets, cont.**

**Round Concrete Foundation for LED Pendant Roadway Light Pole:**



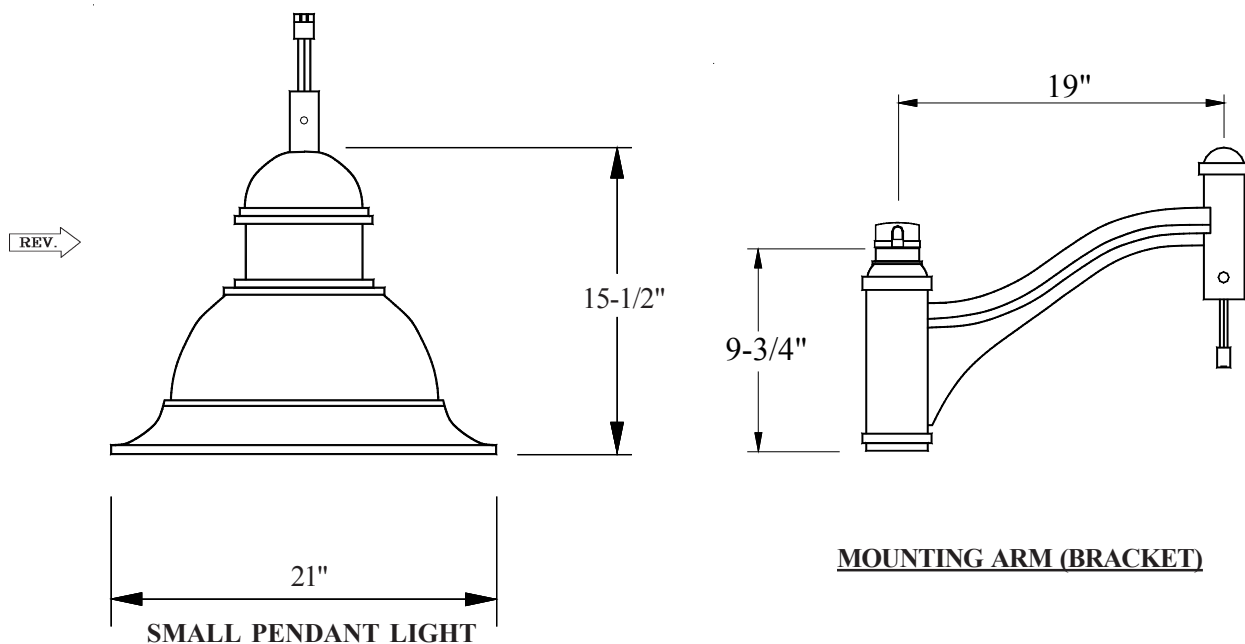


**LED Small Pendant Pedestrian Light**  
(Light Type L56; Pole Type P21)



## GRU Lights, Poles and Brackets, cont.

### LED Small Pendant Pedestrian Light:



Description

LED "SMALL PENDANT" DECORATIVE PEDESTRIAN LUMINAIRE.

Manufacturer

Catalog No.

LUMINAIRE SPECIFICATIONS:

WATTAGE RANGE: 40 TO 60  
 LUMEN RANGE: 4,000 TO 5,000  
 COLOR TEMPERATURE: 3000K  
 PHOTO CONTROL: PHOTOCONTROL  
 MOUNTING ON BRACKET  
 OPTICAL ASSEMBLY: IES TYPE II  
 FINISH COLOR: BLACK  
 WEIGHT: ----- (LUMINAIRE & BRACKET)  
 EPA: 1.10 SQ. FT.

CYCLONE LIGHTING

SY21P1-FGC-2-40W-3K-120-3F-CP4120-RAL9005TX

← REV.

LUMINAIRE MOUNTING ARM (BRACKET):

ALUMINUM WITH CAST-IN POLE ADAPTER.  
 SLIP-FITS A 3" (OUTSIDE DIAMETER) X 6" LONG TENON WITH PHOTO CONTROL RECEPTACLE  
 COLOR: BLACK

→ REV. CYCLONE LIGHTING

M206-C1-T35-PTDR-BK-TX-CP3933

→ REV.

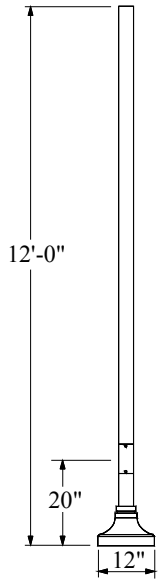
LUMEC (PHILIPS) DBC-1A-RC/120-BK-TX  
**THIS MANUFACTURE HAS BEEN DELETED**

\* NOTE:

~~THE CYCLONE LUMINAIRE REQUIRES AN ADAPTER BRACKET WHEN INSTALLED ON A LUMEC MOUNTING ARM BRACKET. (SEE ELECTRIC PAGE L-75.26)~~

## GRU Lights, Poles and Brackets, cont.

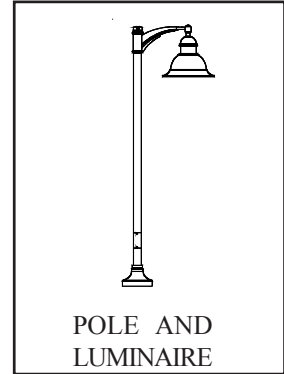
### Pole for the LED Small Pendant Pedestrian Light:



**Anchor Base and Bolt Details**

Pole Height (x)	Pole Diameter (Y)	Bolt Circle Dia.	Anchor Bolt Projection	Anchor Bolts Sizes	Base Cover Size	Conduit Opening
12"	3"	10-1/2"	5-1/2" to 6 - 1/2"	3/4" x 17" x 3"	12"	2' X 4-1/2"

STEEL POLE  
USE WITH THE ROUND BLACK "SMALL DOMUS"  
LUMINAIRE



Description

NON-TAPERED ROUND STEEL 12 FOOT POLE. THIS POLE IS USED WITH THE 100 W. METAL HALIDE LUMINAIRE LISTED ON PAGE L-74.75, IN THIS MANUAL.

COLOR: BLACK

SIZE: 12' HEIGHT X 3" DIAMETER

\* ANCHOR BOLTS PROVIDED BY MANUFACTURER:

- (4) 3/4" X 17" X 3" (STEEL)
- (8) NUTS
- (8) WASHERS

Manufacturer

LUMEC (PHILIPS)

Catalog No.

SM3J-12-BK -TX

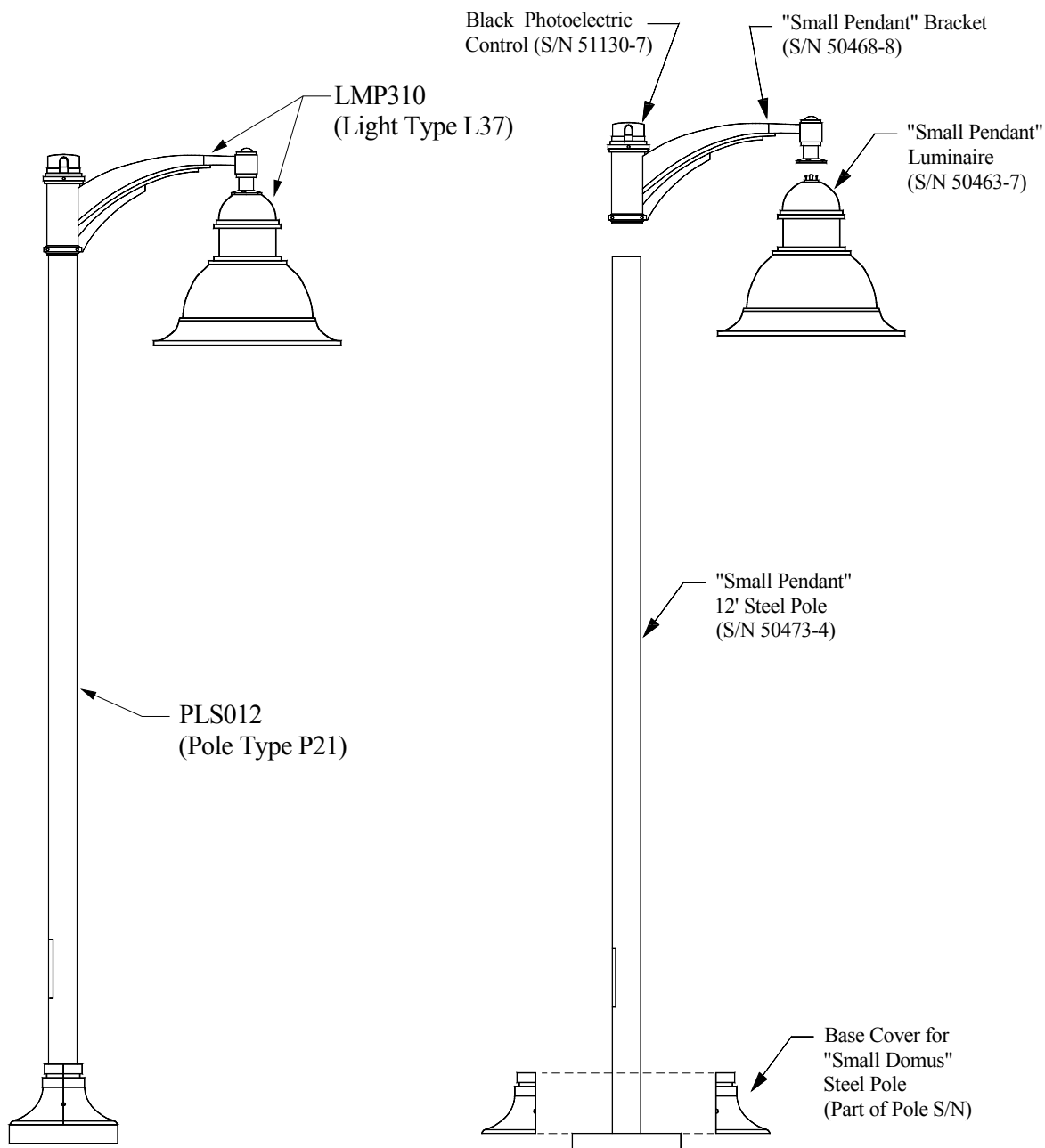
\* NOTE:

IMPORTANT, DO NOT OBSTRUCT SPACE BETWEEN ANCHOR PLATE AND CONCRETE BASE.

**THIS POLE REQUIRES A CONCRETE FOUNDATION FOR INSTALLATION PROVIDED BY CUSTOMER. SEE FOUNDATION DRAWING ON PAGE 48 OF THIS DOCUMENT**

## GRU Lights, Poles and Brackets, cont.

### Pole for the LED Small Pendant Pedestrian Light:

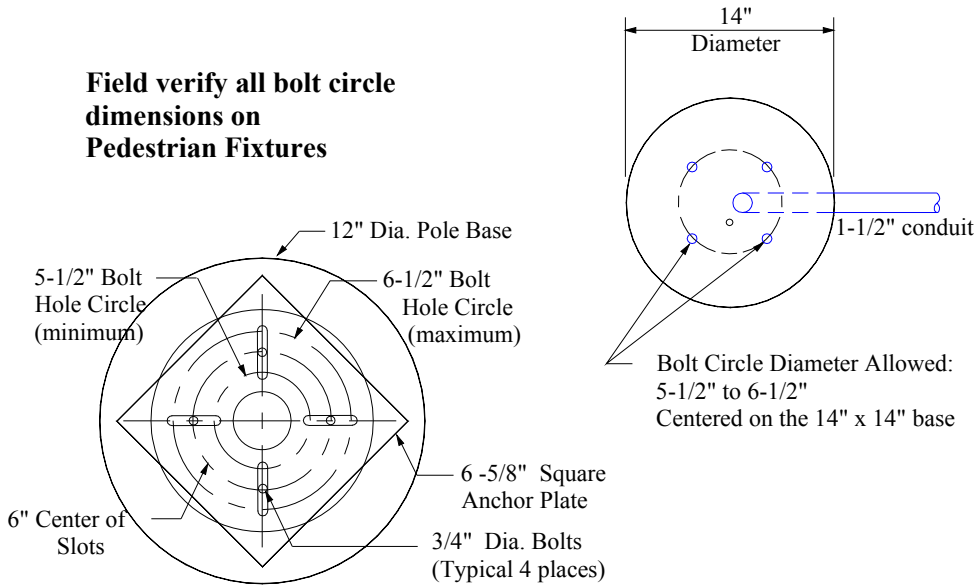


### Small Pendant Luminaire Assembled

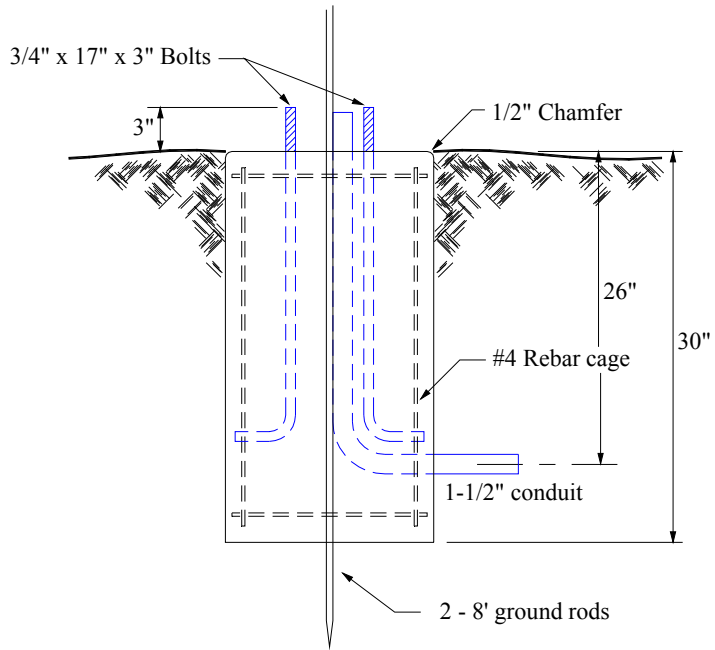
**THIS POLE REQUIRES A CONCRETE FOUNDATION FOR INSTALLATION  
PROVIDED BY CUSTOMER. SEE FOUNDATION DRAWING ON  
PAGE 48 OF THIS DOCUMENT**

# GRU Lights, Poles and Brackets, cont.

## Round Concrete Foundation for LED Small Pendant Pedestrian Light Pole:



**Bolt Hole Template for S/N 50463-7**



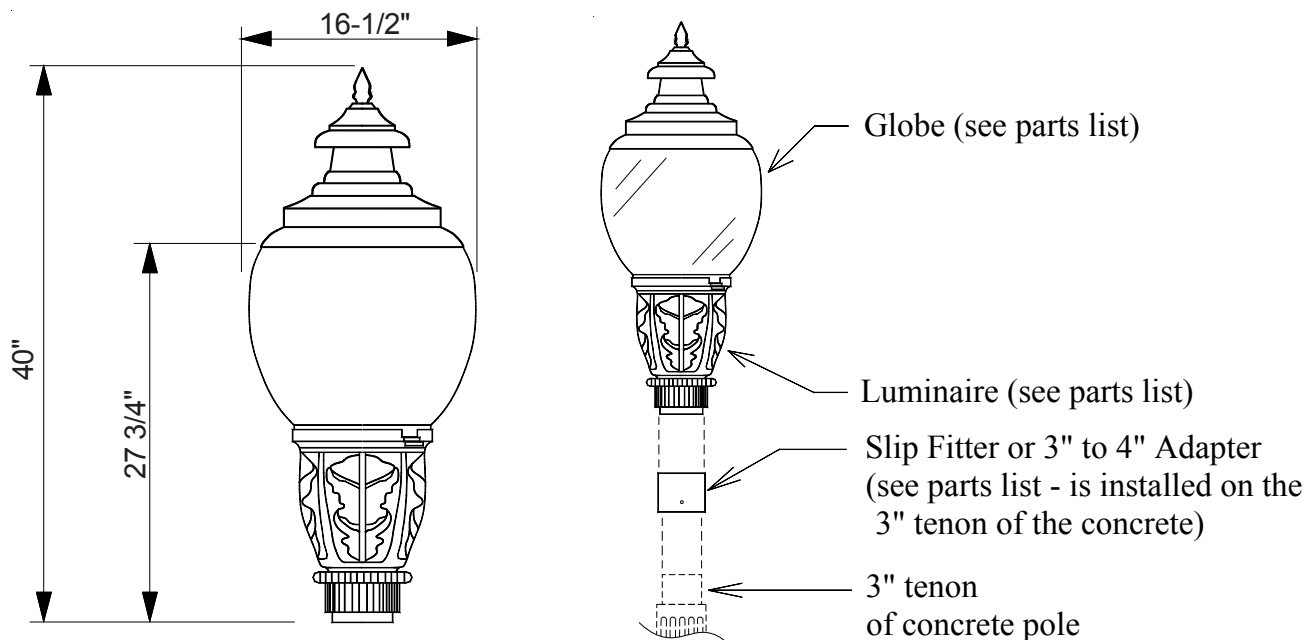
This Page Intensionally Left Blank



**LED Acorn Pedestrian Light**  
(Light Types L52; Pole Type P1)

## GRU Lights, Poles and Brackets, cont.

### LED Acorn Pedestrian Light:



Description

LED PEDESTRIAN DECORATIVE "ACORN" CUTOFF TYPE LUMINAIRE.

Manufacturer

Catalog No.

LUMINAIRE SPECIFICATIONS:

WATTAGE: 67  
 LUMEN OUTPUT: 4731  
 TENON MOUNT ADAPTER TO CONVERT 3" NOMINAL OD FITTERS FOR USE WITH THE 4" TENON FITTER.  
 PHOTO CONTROL RECEPTACLE: NEMA TWIST STYLE - 7 PIN (ANSI C136.41)  
 OPTICAL ASSEMBLY: IES TYPE III  
 FROSTED CLEAR ACRYLIC GLOBE WITH SPUN ALUMINUM BLACK HOOD AND A CAST ALUMINUM DECORATIVE FINIAL MECHANICALLY ASSEMBLED ON THE TOP OF THE GLOBE.  
 DECORATIVE POLE TOP MOUNTING ADAPTER  
 BLACK TEXTURED POWDER COAT (RAL9005TX)

REV. → CYCLONE LIGHTING

AG10T4C-VS3AR-3-50W-3K-120-F30-PTDR-BK-TXCP6115

REV. →

*CYCLONE LIGHTING*

*CG42T4-AGAF-SKY3-50W-3K-120-EF2-F2AP-PTDR-R30-CP4026-RAL9005TX*

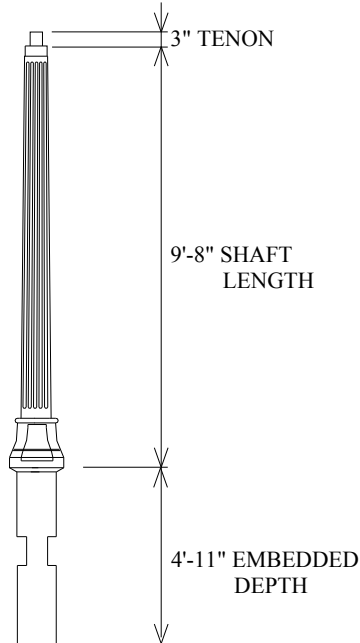
**THIS CATALOG NUMBER HAS BEEN REVISED  
 (SEE NEW CATALOG NUMBER ABOVE)**

PARTS INCLUDE:

- 1 - LUMINAIRE
- 1 - GLOBE
- 1 - TENON MOUNT ADAPTER (3" TO 4")

## GRU Lights, Poles and Brackets, cont.

### LED Acorn Pedestrian Light Pole:



#### Description

DECORATIVE EMBEDDED CONCRETE POLE WITH TENON ATTACHMENT. TO BE USED IN THE RESIDENTIAL AREAS.

#### Manufacturer

#### Catalog No.

#### POLE SPECIFICATIONS:

##### POLE DIMENSIONS (PER CATALOG):

TENON:	3" O.D. x 3" HIGH
SHAFT LENGTH::	9'-8"
BURIAL DEPTH:	4'-11"
OVERALL LENGTH:	14'-10"
LAMP CENTER:	11'-6"

\* AMERON

FLUTED VICTORIAN  
STYLE II POLE:  
\*\* VEF-3.0 (6P3)  
WITH ACRYLIC

** POLE COLOR:	BLACK
WEIGHT:	430 LBS. MINIMUM

TRADITIONAL  
CONCRETE, INC.

D120X-MS-EA-3T-BC

OR

D1210X-MS-EA-3T-BC

#### \* POSSIBLE SUPPLIER:

JAG LIGHTING SOLUTIONS, INC.  
JUDY GRADDY  
1061 CHOKE CHERRY DRIVE  
WINTER SPRINGS, FL 32708  
PHONE: (407) 695-8547  
FAX: (407) 696-3018

#### \*\* NOTE:

**PAINT HANDHOLE COVER AND TENON  
"BLACK" TO MATCH POLE.**



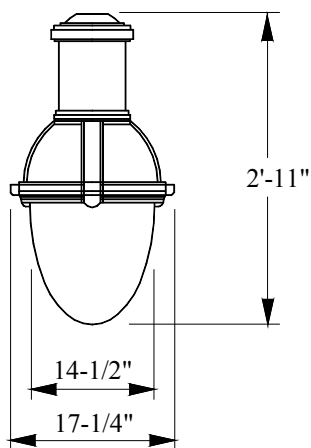
This Page Intensionally Left Blank



**LED Teradrop Roadway Light**  
(Light Types L53, L54; Pole Type P7)

## GRU Lights, Poles and Brackets, cont.

### LED Teradrop Roadway Light:




---

#### Description

LED "REARDROP" ROADWAY LUMINAIRE.

#### Manufacturer

#### Catalog No.

#### LUMINAIRE SPECIFICATIONS:

WATTAGE RANGE:	100 to 120	** CYCLONE LIGHTING	CO12P1UF-DP3GR-
LUMEN OUTPUT RANGE:	8,500 TO 11,500	(MODEL - TEARDROP)	GAL-3-102W-3K-120-
COLOR TEMPERATURE:	3000K		3F-RAL9005TX
PHOTO CONTROL RECEPTACLE:	NEMA TWIST STYLE - 7 PIN (ANSI C136.41)		
OPTICAL ASSEMBLY:	IES TYPE III		
GLOBE:	BOROSILICATE GLASS		
FINISH COLOR:	BLACK		
WEIGHT:	34 LBS.		

#### LUMINAIRE MOUNTING ARM BRACKETS:

LISTED ON PAGE L-75.27 & L-75.28

#### ADAPTER BRACKETS:

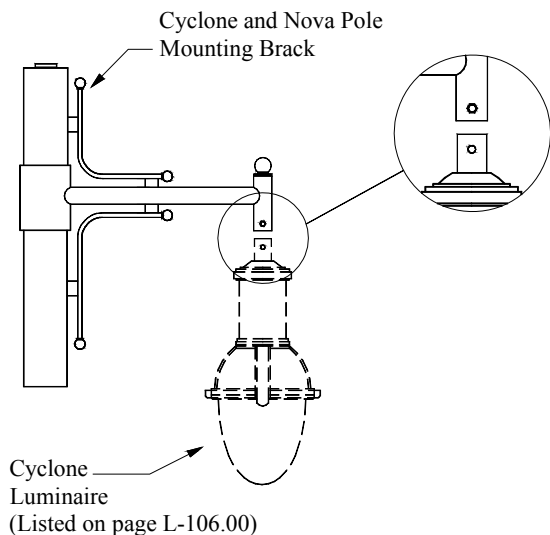
LISTED ON PAGE L-75.26

#### NOTES:

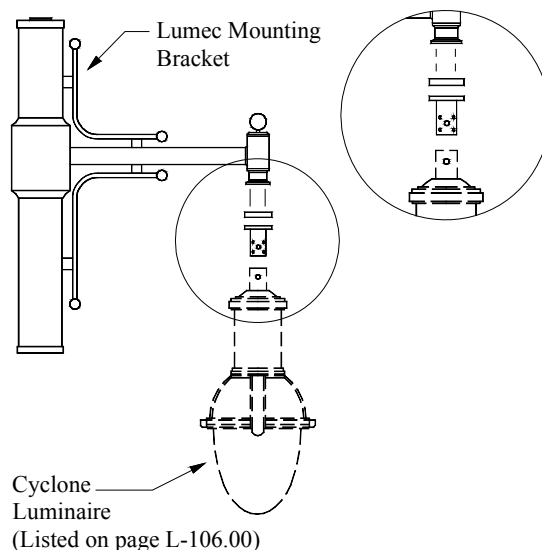
- \*\*1) ADAPTER BRACKET IS REQUIRED WHEN INSTALLED WITH A LUMEC MOUNTING BRACKET.

## GRU Lights, Poles and Brackets, cont.

### 2'-0" & 4'-0" Mounting Arm Brackets For LED Teradrop Roadway Light:



**2'-0" MOUNTING ARM BRACKET**



**4'-0" MOUNTING ARM BRACKET**

<u>Description</u>	<u>Manufacturer</u>	<u>Catalog No.</u>
200 W. HIGH PRESSURE SODIUM "RENAISSANCE" ROADWAY LUMINAIRE. LUMINAIRE MOUNTING BRACKETS:		
2'-0" X 2-3/8" ROUND ALUMINUM ARM WELDED. 9" SLIP-FITS OVER 5-9/16" O.D. POLE TENON. COLOR: BLACK	CYCLONE LIGHTING	M205-C1-T60-CP3952/2-3M-PTDR-BK-TX
	NOVA POLE	NPP-MM-5S-24-PTR7-BK-TX
4'-0" X 2-3/8" ROUND ALUMINUM ARM WELDED. 9" SLIP-FITS OVER 5-9/16" O.D. POLE TENON. COLOR: BLACK	CYCLONE LIGHTING	M205-C1-T60-CP3952-3M-PTDR-BK-TX
	NOVA POLE	NPP-MM-5S-48-PTR7-BK-TX

REPLACEMENT PARTS:

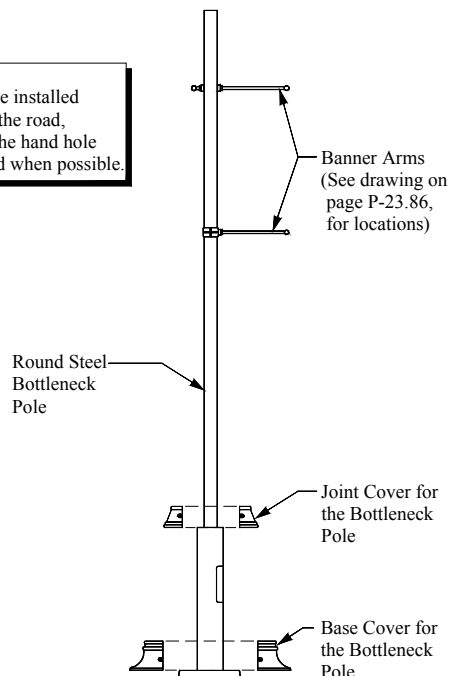
LISTED IN GRU ELECTRIC MATERIALS MANUAL

## GRU Lights, Poles and Brackets, cont.

### LED Teradrop Roadway Light Pole:

Note:  
Joint and Base covers shall be installed with the seams parallel with the road, sidewalk, or parking area. The hand hole shall face away from the road when possible.

**THIS POLE REQUIRES A CONCRETE FOUNDATION FOR INSTALLATION PROVIDED BY CUSTOMER. SEE FOUNDATION DRAWING ON PAGE 60 OF THIS DOCUMENT**



#### Description

ROUND STEEL BOTTLENECK POLE WITH BASE AND JOINT COVERS MADE OF TWO PIECES OF CAST ALUMINUM MECHANICALLY FASTENED TO THE BASE AND POLE WITH STAINLESS STEEL SCREWS. THIS POLE IS USED WITH THE 200 W. HIGH PRESSURE SODIUM "RENAISSANCE" LUMINAIRE LISTED ON PAGE L-75.25, IN THIS MANUAL.

#### SPECIFICATIONS:

SIZE: 5-9/16" DIA. X 26 FEET  
ROUND WITH UPPER ARM

MATERIAL: STEEL

COLOR: BLACK

BASE PLATE: 15"

BOLT CIRCLE: 12-1/2"

ANCHOR BOLTS: 1" DIA. X 36"

WEIGHT: 372 LBS.

#### Manufacturer

LUMEC (PHILIPS)

LUMEC (PHILIPS)

#### Catalog No.

#SSM8V-26-BK-TX-BAS32-LMS20392A

#BAA1-32-SSM8V-BK-TX

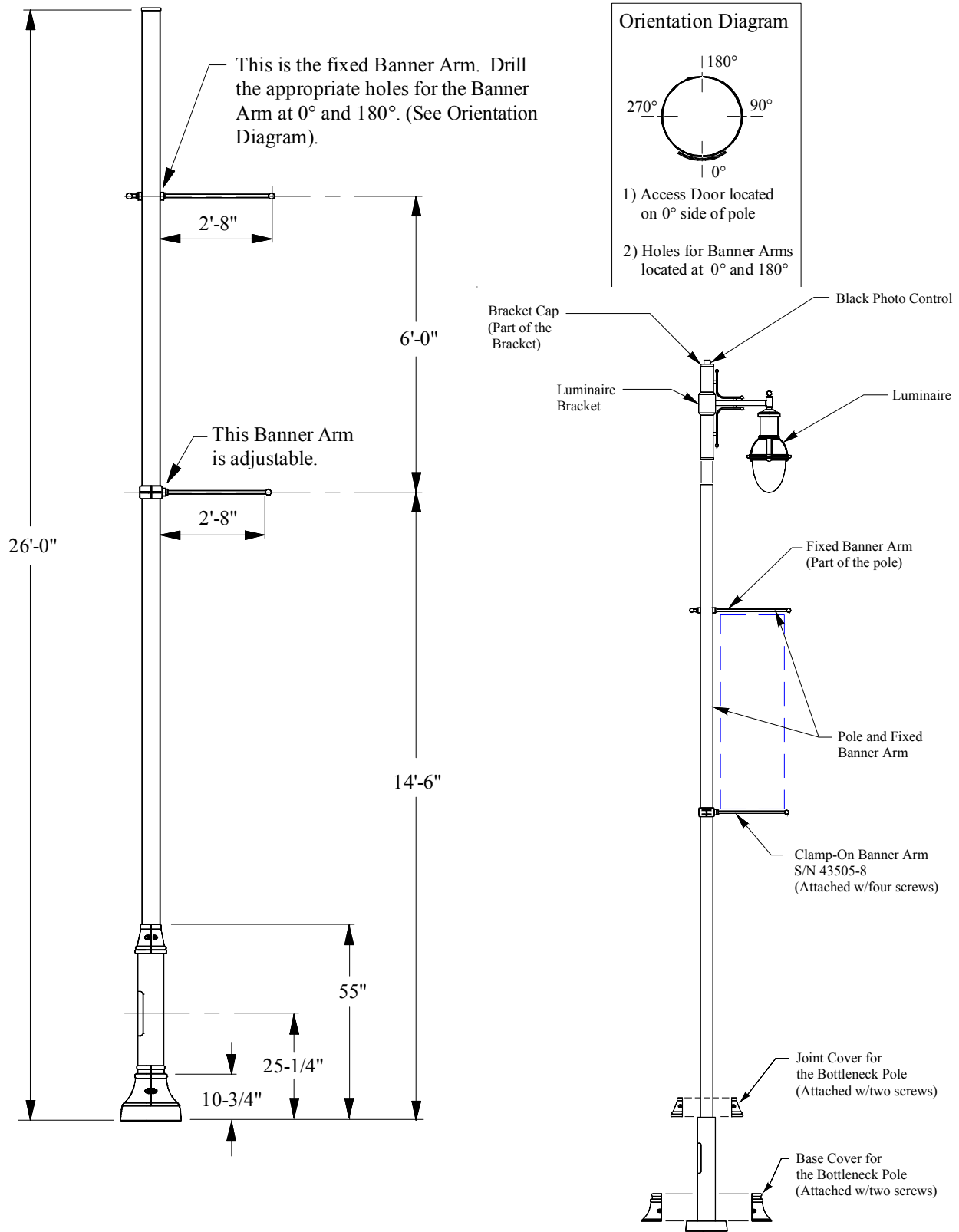
WITH (1) CLAMP-ON LOWER BANNER ARM FOR 5-9/16" OD POLE

#### PARTS LIST:

- 1 - 5-9/16" X 26'-0" ROUND "BLACK" STEEL POLE
- 1 - TWO (2) PIECE JOINT COVER - BLACK
- 1 - TWO (2) PIECE BACE COVER - BLACK
- MOUNTING HARDWARE (SCREWS)
- 1 - UPPER BANNER ARM
- 1 - CLAMP-ON LOWER BANNER ARM

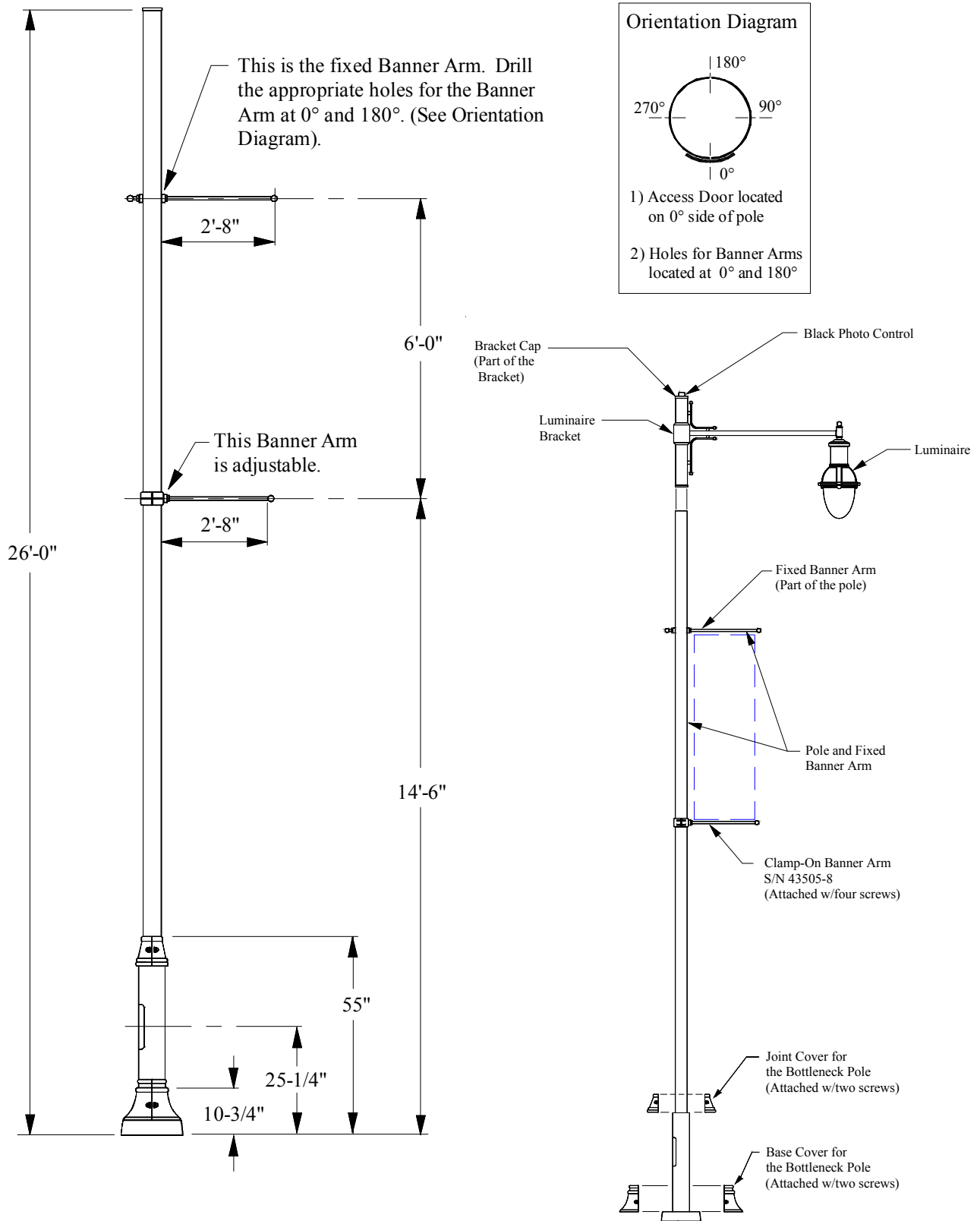
## GRU Lights, Poles and Brackets, cont.

### LED Teradrop Roadway Light Pole w/2'-0" Mounting Arm Bracket cont.:



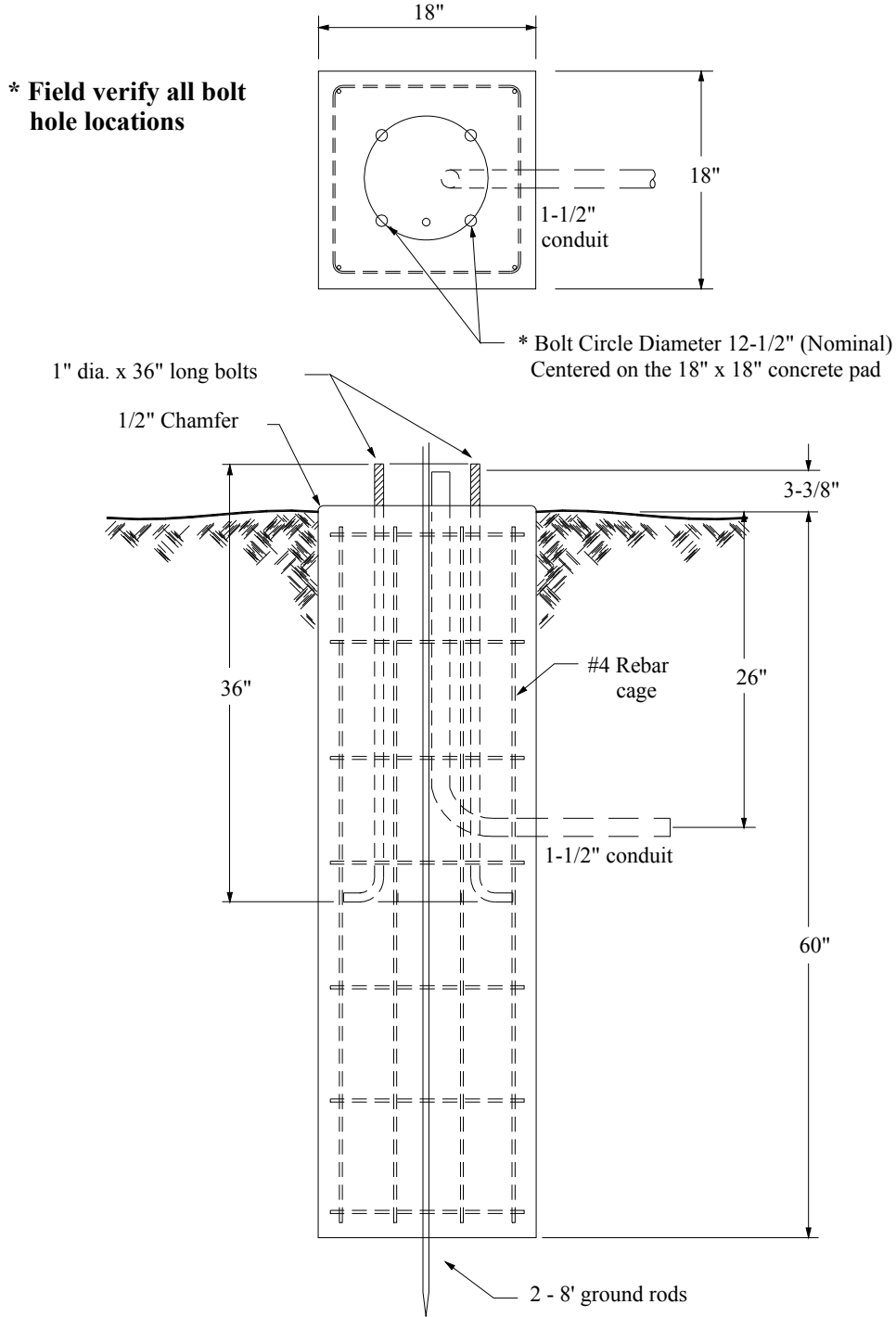
## GRU Lights, Poles and Brackets, cont.

### LED Teradrop Roadway Light Pole w/4'-0" Mounting Arm Bracket cont.:



## GRU Lights, Poles and Brackets, cont.

### Square Concrete Foundation for LED Teradrop Roadway Light Pole:





This Page Intensionally Left Blank



## **Floodlights**

**(Light Types L57, L58 and L59; Pole Types P9, P13, P16, P19, P8, P12, P15, P18)**

## GRU Lights, Poles and Brackets, cont.

### LED Floodlight 1 (Backyard):



↖ \*YOKE/TRUNNON

**THIS FLOODLIGHT IS TO BE USED IN RESIDENTIAL APPLICATIONS  
(TO REPLACE A 100W. HPS ROADWAY LIGHTS IN BACKYARDS)**

<u>Description</u>	<u>Manufacturer</u>	<u>Catalog No.</u>
LED FLOODLIGHT 1, DIE-CAST ALUMINUM HOUSING, WITH GALVANIZED STEEL *YOKE/TRUNNON BRACKET AND ** TOP AND SIDE SHIELDS.	EATON LIGHTING	UFLD-S-C70-D-U-66-T-AP-7030-4N7-10MSP-C1405 WITH ** TS2LW/NFFLD-AP
<b>SPECIFICATIONS:</b>		
LAMP WATTAGE RANGE:	15 TO 25 WATTS	
LUMEN RANGE:	2,500 TO 3,000	
VOLTAGE:	120 - 277 VOLTS (WIRED FOR 120V.)	
LIGHT DISTRIBUTION (IES):	6 X 6 OR 7 X 6	
CCT:	3,000 K.	
COLOR RENDERING INDEX:	70	
OPERATING TEMPERATURE:	-4 TO 122 F.	
SURGE PROTECTION (MIN.):	10kV/5kA	
PHOTO CONCTRL RECEPT:	ANSI C136.41 7-PIN	
CORD TYPE AND LENGTH:	3 #14, 3 FT. (MIN.)	
COLOR:	GRAY	
WEIGHT:	13 LBS.	

**NOTES:**

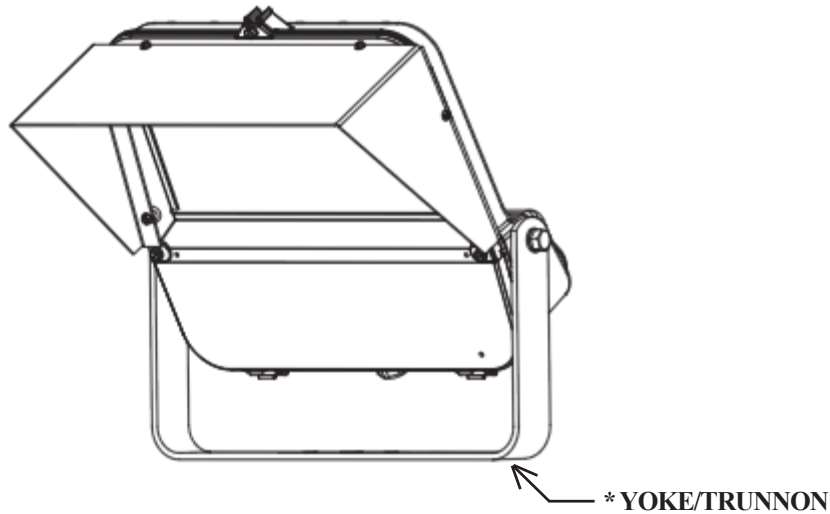
\*1) THE YOKE/TRUNNON WILL BE AS SHOWN IN THE ILLUSTRATION ON THIS PAGE.

2) 20 YEAR PHOTOCONTROL LISTED ON ELECTRIC STANDARDS PAGE P-5.45, S/N 58131-3

\*\* 3) TOP AND SIDE SHIELDS SHALL BE PAINTED GRAY OR ALUMINUM (NOT PAINTED) AND BE INCLUDED WITH THE FLOOD LIGHT. SIDE SHIELDS OR VISORS **MUST BE SHIPPED AT THE SAME TIME AS THE FLOODLIGHT AND APPEAR ON THE SAME INVOICE.** (SIDE SHIELDS OR VISORS SHALL BE INSTALLED IN THE FIELD).

## GRU Lights, Poles and Brackets, cont.

### LED Floodlight 2:



NOT ALL MANUFACTURERS LIGHT WILL LOOK THE SAME

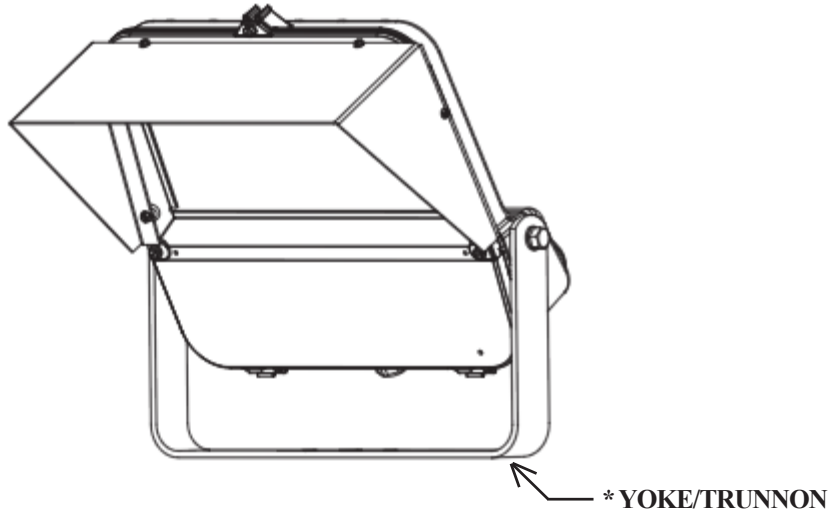
<u>Description</u>	<u>Manufacturer</u>	<u>Catalog No.</u>
LED FLOODLIGHT 2, DIE-CAST ALUMINUM HOUSING, WITH GALVANIZED STEEL *YOKE/TRUNNON BRACKET AND **TOP AND SIDE SHIELDS.		
<b>SPECIFICATIONS:</b>		
LAMP WATTAGE RANGE:	95 TO 125 WATTS	GENERAL ELECTRIC <span style="border: 1px solid black; padding: 0 2px;">REV.</span> → EFM1-01-0-CC-66-7-30-A-A-T1-GRAY-R-067
LUMEN RANGE:	14,000 TO 15,000	WITH
VOLTAGE:	120 - 277 VOLTS (WIRED FOR 120V.)	** TSVGGRAY-EFM
LIGHT DISTRIBUTION:	6 X 6 OR 7 X 6	
CCT:	3,000 K.	
COLOR RENDERING INDEX:	70	HOWARD LIGHTING <span style="border: 1px solid black; padding: 0 2px;">REV.</span> → UFAMD73YG2R7LA-2-193
OPERATING TEMPERATURE:	-4 TO 122 F.	WITH
SURGE PROTECTION (MIN.):	10kV/5kA	** UF-GS
PHOTO CONCTROL RECEPT:	ANSI C136.41 7-PIN	
CORD TYPE AND LENGTH:	3 #14, 3 FT. (MIN.)	EATON <span style="border: 1px solid black; padding: 0 2px;">REV.</span> → UFLD-C40-D-U-66-Y-AP-7030-4N7-10K-C1405-U94906
COLOR:	GRAY	WITH
WEIGHT:	20 TO 30 LBS.	** TS2/UFLD-AP

**NOTES:**

- \*1) THE YOKE/TRUNNON WILL BE AS SHOWN IN THE ILLUSTRATION ON THIS PAGE.
- 2) 20 YEAR PHOTOCNTROL LISTED ON ELECTRIC STANDARDS PAGE P-5.45, S/N 58131-3
- \*\* 3) TOP AND SIDE SHIELDS SHALL BE PAINTED GRAY OR ALUMINUM (NOT PAINTED) AND BE INCLUDED WITH THE FLOOD LIGHT. SIDE SHIELDS OR VISORS **MUST BE SHIPPED AT THE SAME TIME AS THE FLOODLIGHT AND APPEAR ON THE SAME INVOICE.** (SIDE SHIELDS OR VISORS SHALL BE INSTALLED IN THE FIELD).

## GRU Lights, Poles and Brackets, cont.

### LED Floodlight 3:



NOT ALL MANUFACTURERS LIGHT WILL LOOK THE SAME

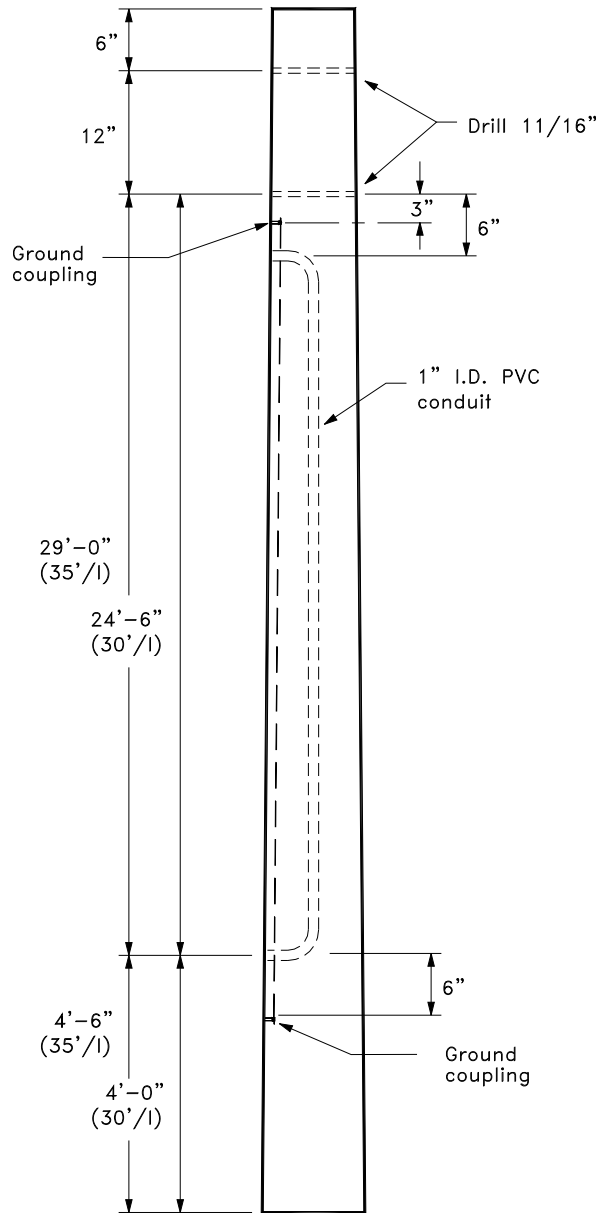
<u>Description</u>	<u>Manufacturer</u>	<u>Catalog No.</u>
<p>LED FLOODLIGHT 3, DIE-CAST ALUMINUM HOUSING, WITH GALVANIZED STEEL *YOKE/TRUNNON BRACKET AND ** TOP AND SIDE SHIELDS.</p> <p><u>SPECIFICATIONS:</u></p> <p>LAMP WATTAGE RANGE: 175 TO 200 WATTS</p> <p>LUMEN RANGE: 21,000 TO 23,200</p> <p>VOLTAGE: 120 - 277 VOLTS (WIRED FOR 120V.)</p> <p>LIGHT DISTRIBUTION (IES): 6 X 6 OR 7 X 6</p> <p>CCT: 3,000 K.</p> <p>COLOR RENDERING INDEX: 70</p> <p>OPERATING TEMPERATURE: -4 TO 122 F.</p> <p>SURGE PROTECTION (MIN.): 10kV/5kA</p> <p>PHOTO CONCTROL RECEPT: ANSI C136.41 7-PIN</p> <p>CORD TYPE AND LENGTH: 3 #14, 3 FT. (MIN.)</p> <p>COLOR: GRAY</p> <p>WEIGHT: 20 TO 30 LBS.</p>	<p>GENERAL ELECTRIC <span style="border: 1px solid black; padding: 0 2px;">REV.</span> →</p> <p>EATON LIGHTING <span style="border: 1px solid black; padding: 0 2px;">REV.</span> →</p>	<p>EFM1-01-0-EE-66-7-30-A-A-T1-GRAY-R-068 WITH ** TSVGRAY-EFM</p> <p>UFLD-C70-D-U-66-Y-AP-7030-4N7-10-K-C1405-U100859 WITH ** TS2/UFLD-AP</p>

**NOTES:**

- \*1) THE YOKE/TRUNNON WILL BE AS SHOWN IN THE ILLUSTRATION ON THIS PAGE.
- 2) 20 YEAR PHOTOCONTROL LISTED ON ELECTRIC STANDARDS PAGE P-5.45, S/N 58131-3
- \*\* 3) TOP AND SIDE SHIELDS SHALL BE PAINTED GRAY OR ALUMINUM (NOT PAINTED) AND BE INCLUDED WITH THE FLOOD LIGHT. SIDE SHIELDS OR VISORS **MUST BE SHIPPED AT THE SAME TIME AS THE FLOODLIGHT AND APPEAR ON THE SAME INVOICE.** (SIDE SHIELDS OR VISORS SHALL BE INSTALLED IN THE FIELD).

## GRU Lights, Poles and Brackets, cont.

### Concrete Pole for Flood Lights:



Description

CONCRETE POLE

HEIGHT/TYPE (APR. WEIGHT):

30'/1 (1,360 LBS.)

35'/1 (1,800 LBS.)

Manufacturer

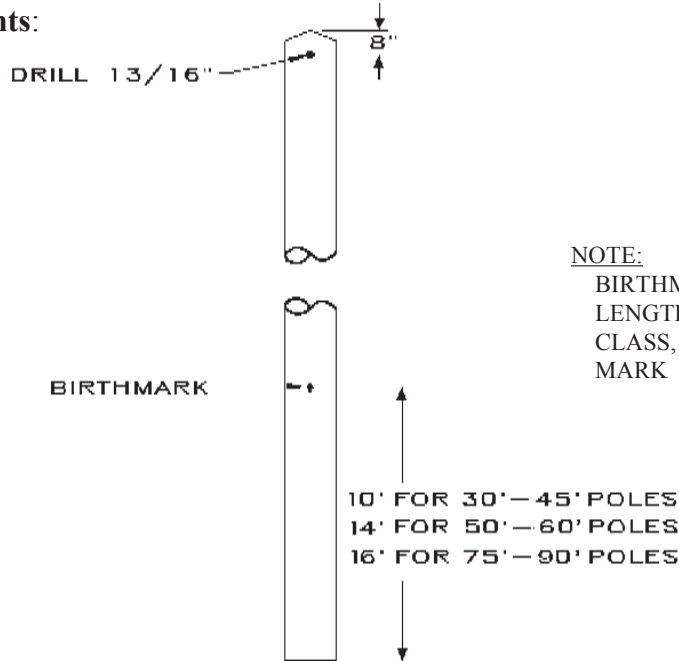
ACCORD INDUSTRIES,  
PRESTRESSED POLE DIV.

DURA-STRESS, INC.

Catalog No.

## GRU Lights, Poles and Brackets, cont.

### Wood Poles for Flood Lights:



<u>Description</u>	<u>Manufacturer</u>	<u>Catalog No.</u>
CCA TREATED WOOD POLE, SOUTHERN PINE	<u>NOTE:</u> MANUFACTURERS ARE LISTED BELOW	
HEIGHT/CLASS (APPROXIMATE WEIGHT:)		
30/6 (606 LBS.)		NONE
35/5 (888 LBS.)		NONE
40/5 (1,104 LBS.)		NONE

#### APPRIVED MANUFACTURERS:

- |   |   |
|---|---|
| <ol style="list-style-type: none"> <li>1. T. R. Miller Mill Co., Inc.<br/>P.O. Box 708<br/>Brewton, Al. 36427 Phone: (205) 867-4331</li> <li>2. Atlantic Wood Industries, Inc.<br/>P. O. Box 1608<br/>Savannah, Ga. 31498 Phone: (912) 964-1234</li> <li>3. Swift Lumber, Inc.<br/>P. O. Box Drawer 1298<br/>Atmore, Al. 36502 Phone: (205) 368-2138</li> </ol> | <ol style="list-style-type: none"> <li>4. Apalachee Pole Company, Inc.<br/>P. O. Box 7<br/>Graceville, Fl. 32440 Phone: (904) 643-2121<br/>(Send RFQ To:<br/>P.O. Box 68<br/>Bristol, Fl. 32321)</li> <li>5. Ace Pole Co., Inc.<br/>Waycross Hwy. 82E<br/>P. O. Box 1323<br/>Waycross, Ga. 31501 Phone: (912) 449-4011</li> <li>6. Langdale Forest Products Co.<br/>P.O. Box 1088<br/>Valdosta, GA 31603</li> </ol> |
|---|---|